

M-Pathways Payroll

Data Dictionary



Copyright © 2009
The Regents of The University of Michigan

All rights reserved. This document may be reproduced or reprinted, in whole or in part, without permission as long as the above copyright statement and source are clearly acknowledged. This publication or any reproductions may not be sold. Copyrights, trademarks, and service marks referred to in this documentation are the property of their respective owners.

Michigan Administrative Information Services
University of Michigan
July 2009

Comments and Suggestions

Your feedback is very important to us. As a U-M Data Warehouse user, we encourage you to tell us what you like or dislike about this Data Dictionary. Your comments and suggestions will help us improve this and other MAIS documentation for you in the future.

Please email your comments and suggestions to maishelpdesk@umich.edu. Thank you.

Contents

Payroll Tables Diagrams	1
Payroll Tables Description	12
Payroll Data Element Dictionary	14

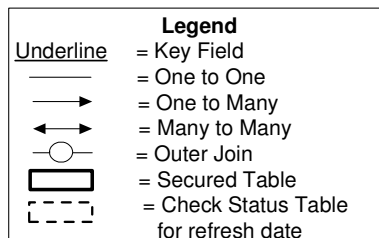
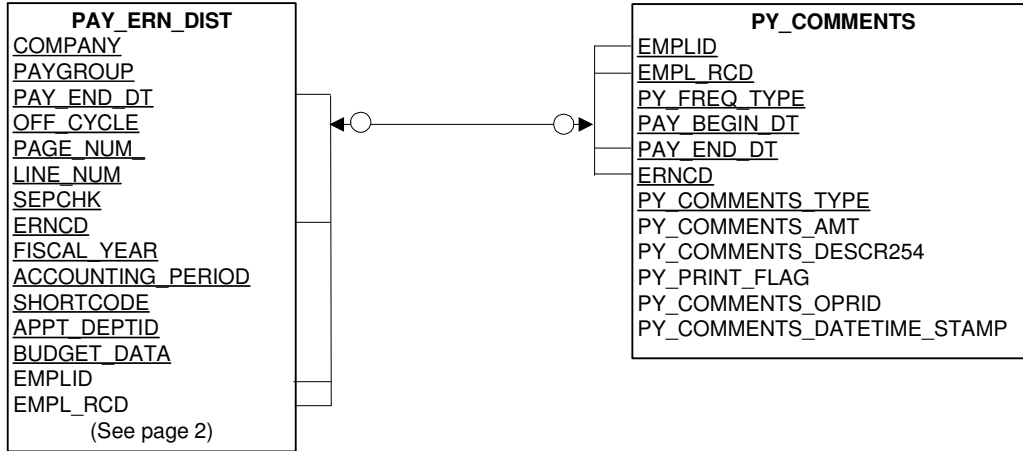
Payroll Tables Diagrams

The Payroll Tables Diagrams illustrate the *logical* relationships among the various Payroll tables. A logical link (connecting line) between two tables indicates that there is a direct data relationship between the two tables. Physically, any tables with a common element can be joined. However, two tables with common elements may not necessarily have logical links to one another. Joining tables without logical links may produce undesired results; a thorough understanding of the data is needed to guarantee accurate results.

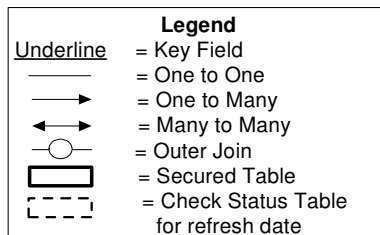
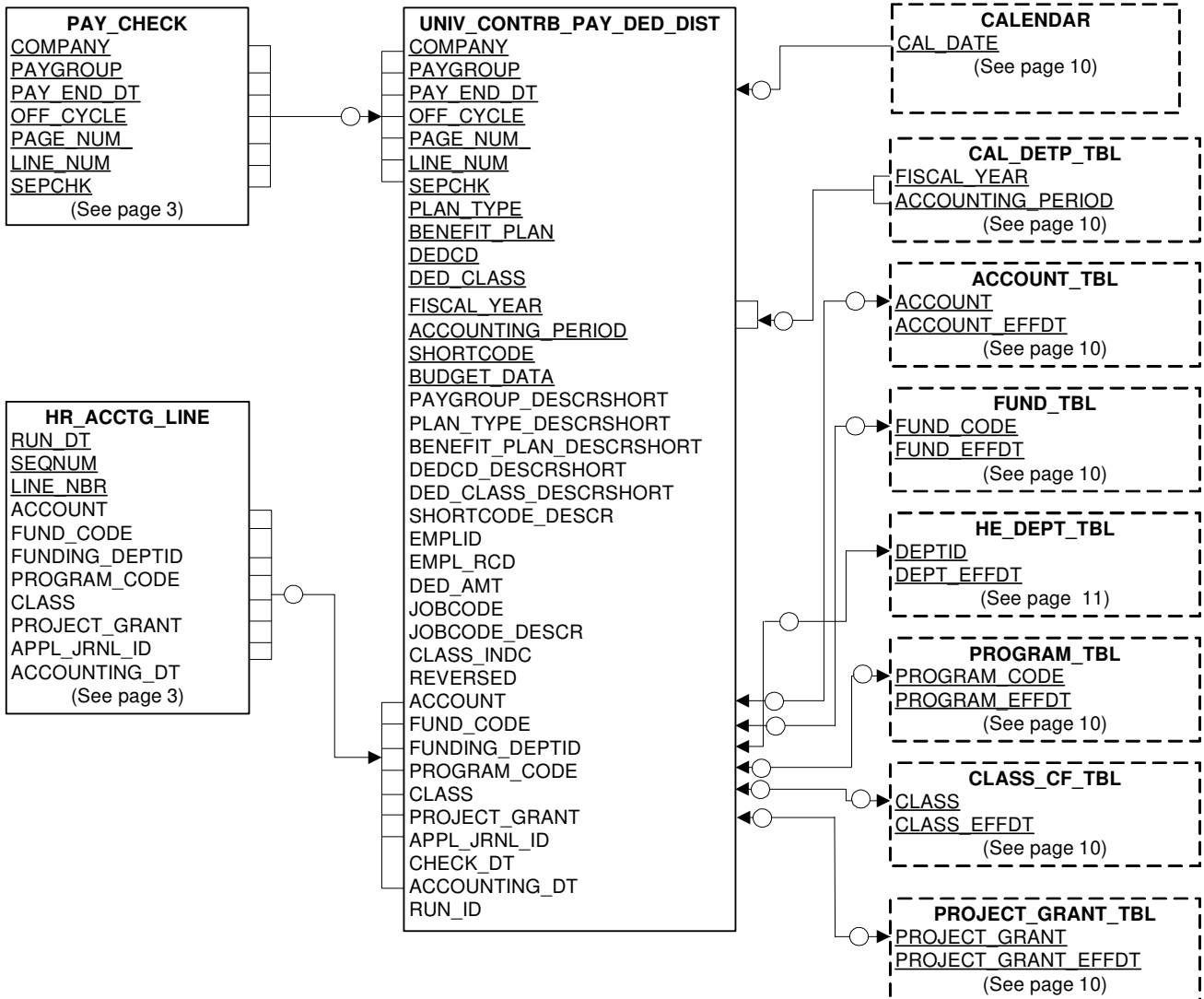
All tables within a data set are not necessarily refreshed on the same schedule. It is ***extremely important*** to query the status table to determine when the data in each table was last refreshed and to determine the impact this will have on query results.

Note: The Payroll Tables Diagrams are shown on pages 2 through 11.

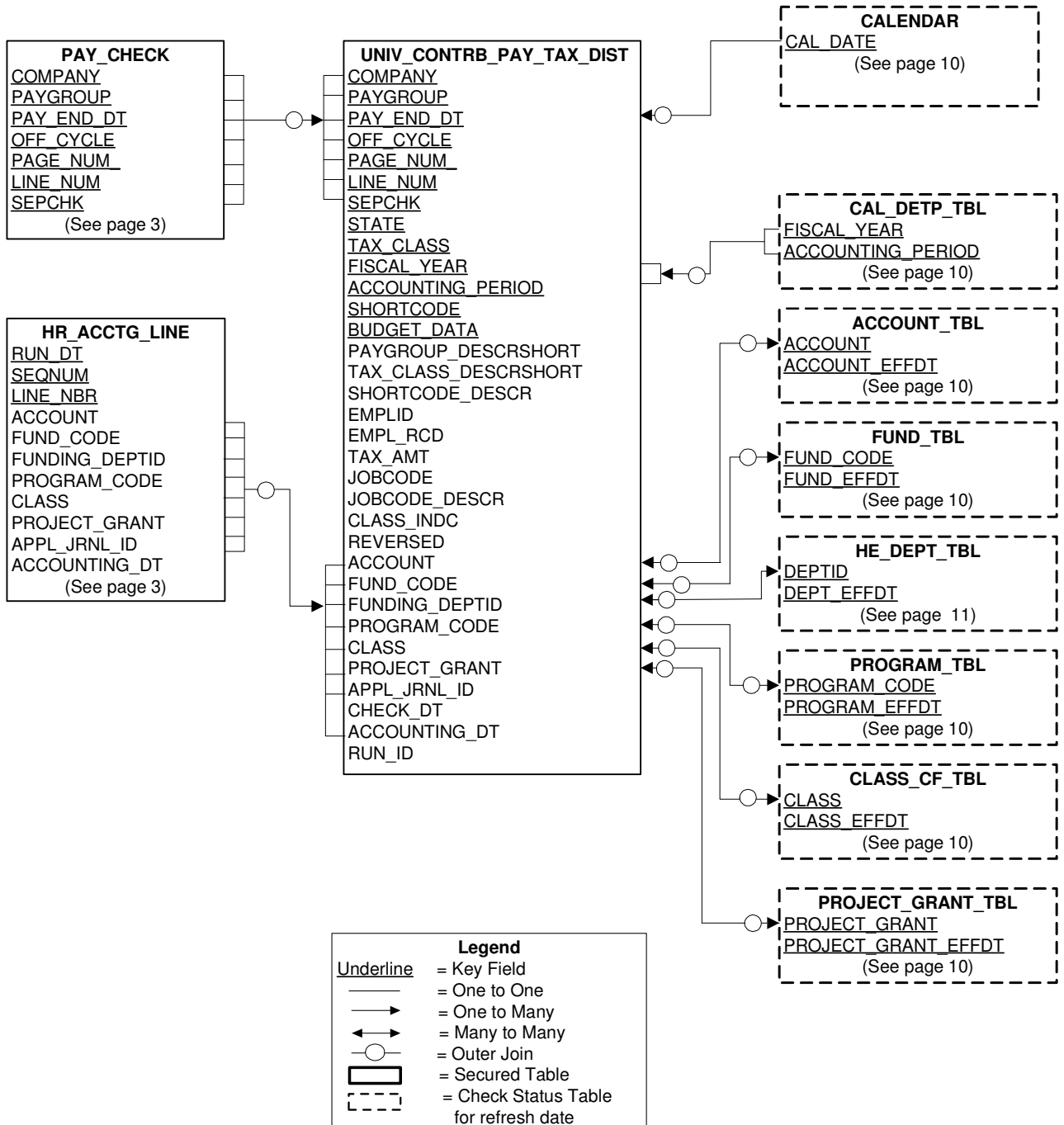
Gross Pay Register (continued)



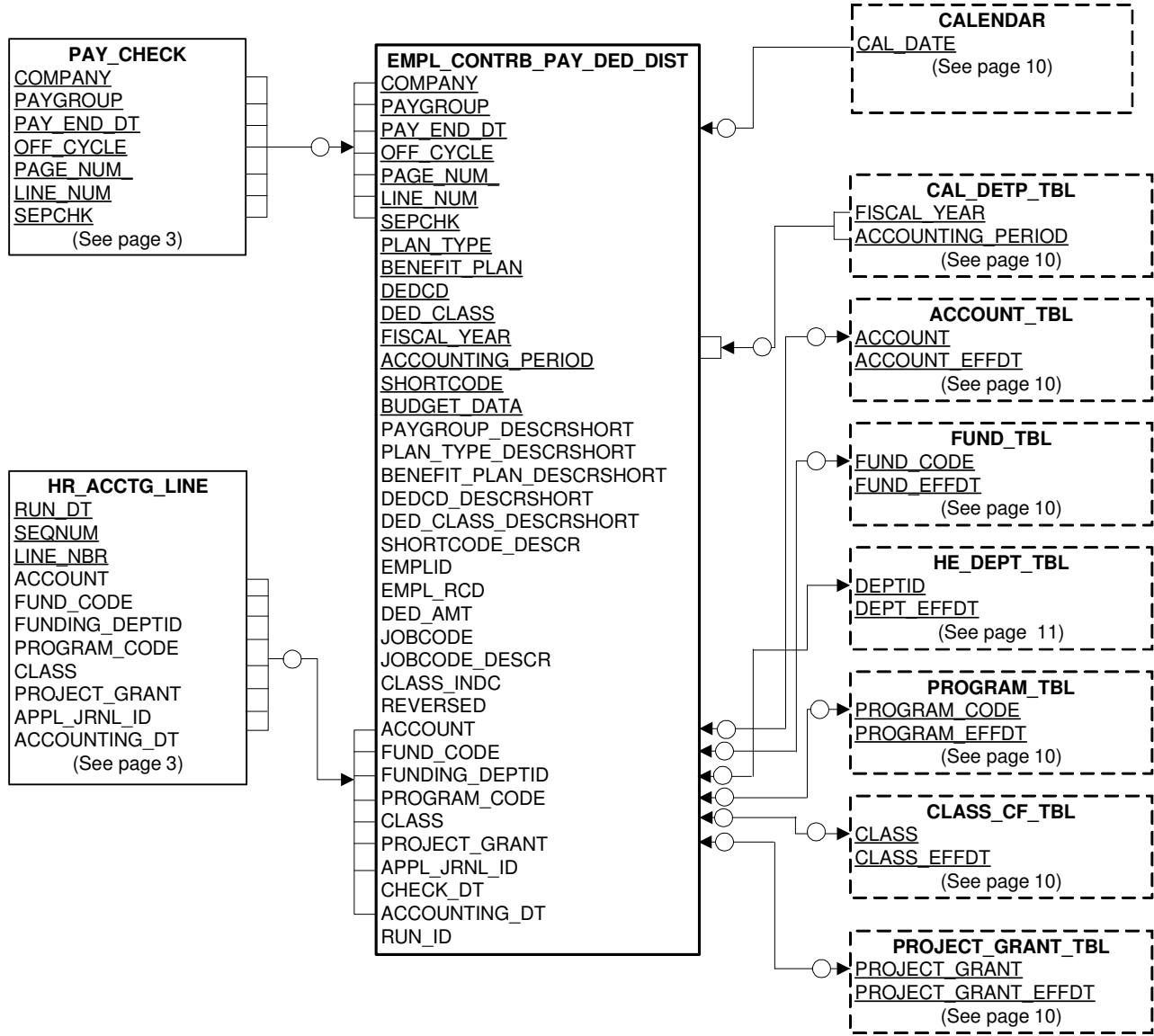
Distribution of Fringe Benefits - University Contribution



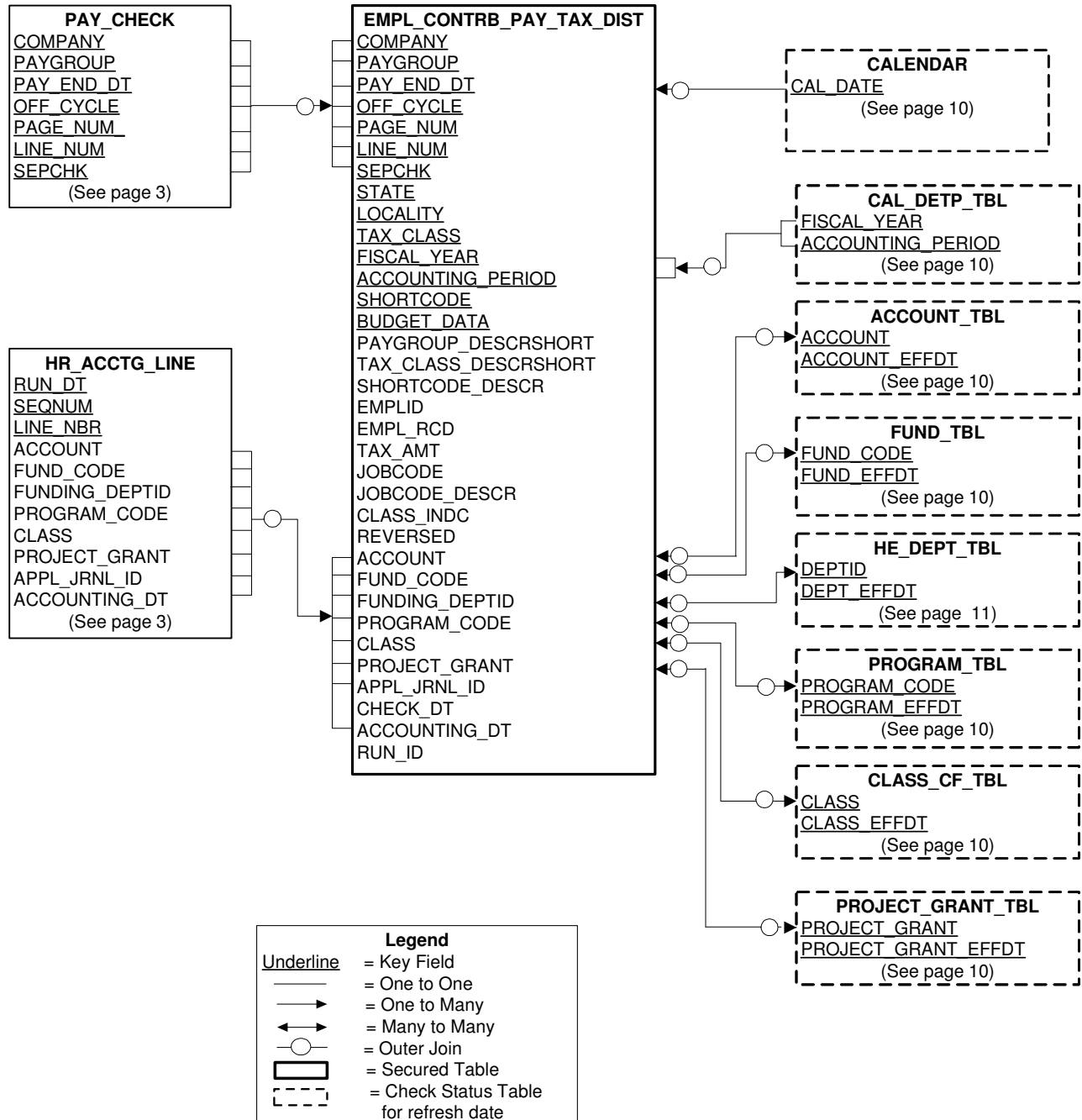
Distribution of Taxes - University Contribution



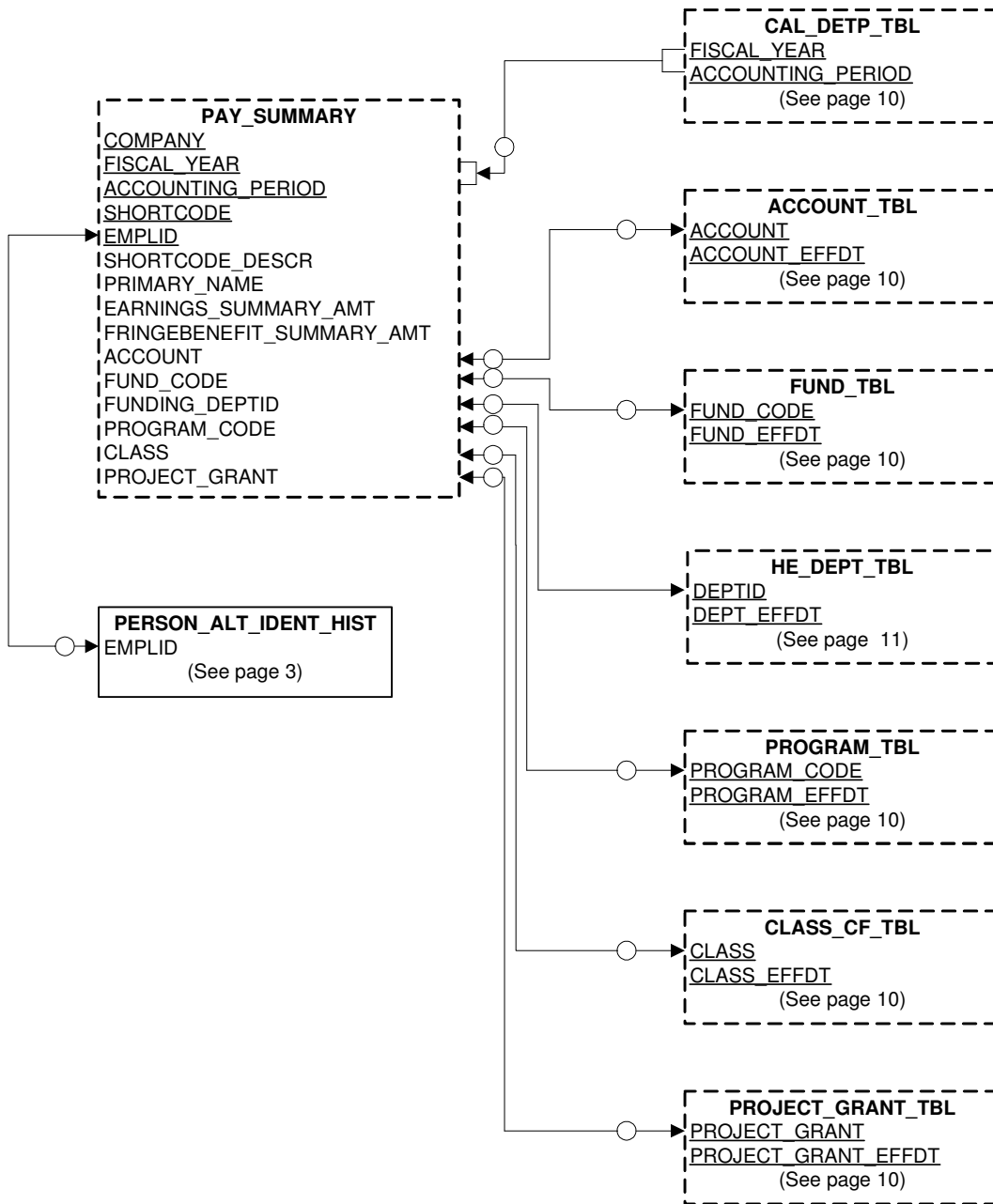
Distribution of Fringe Benefits - Employee Contribution



Distribution of Taxes - Employee Contribution

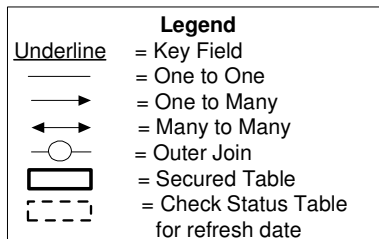
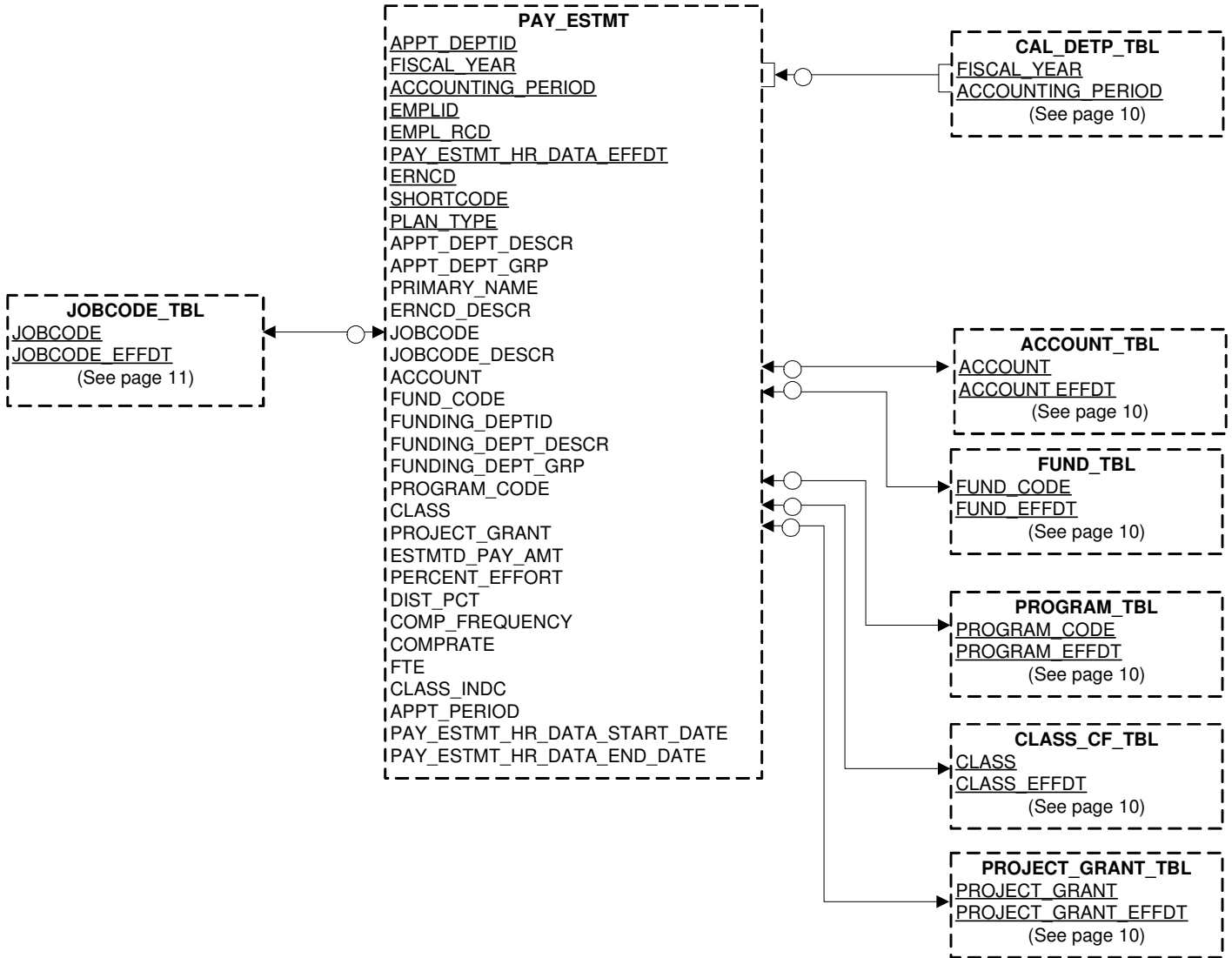


Pay Summary



Legend	
<u>Underline</u>	= Key Field
—	= One to One
→	= One to Many
↔	= Many to Many
○	= Outer Join
▭	= Secured Table
- - -	= Check Status Table for refresh date

Payroll Estimates



Stand Alone Tables

Historical Chartfields, Calendar, Cal_Detp_Tbl and Shortcode

ACCOUNT_TBL
ACCOUNT
ACCOUNT_EFFDT
ACCOUNT_EFF_STATUS
ACCOUNT_DESCR
ACCOUNT_TYPE
ACCOUNT_TYPE_DESCR
ACCOUNT_GRP
ACCOUNT_GRP_DESCR
ACCOUNT_GRP_SRC_USE_TYPE
ACCOUNT_GRP_SRC_USE
ACCOUNT_GRP_SRC_USE_DESCR
ACCOUNT_GRP_GASB
ACCOUNT_GRP_GASB_DESCR
ACCOUNT_GRP_SPON_PROJ
ACCOUNT_GRP_SPON_PROJ_DESCR
ACCOUNT_GRP_SP_VOL_RES
ACCOUNT_GRP_SP_VOL_RES_DESCR
ACCOUNT_GRP_ISR_BUDGET
ACCOUNT_GRP_ISR_BUDGET_DESCR
ACCOUNT_GRP_MED_SCH
ACCOUNT_GRP_MED_SCH_DESCR
ACCOUNT_DESCRLONG

CALENDAR
CAL_DATE
HOLIDAY_IND
IUOE_HOLIDAY_IND
HOLIDAY_DESCR
CAL_DAY
ICAL_DAY_DESCRSHORT
ICAL_DAY_NBR_IN_WEEK
CAL_MONTH_CODE
CAL_MONTH_DESCR
CAL_MONTH_DESCRSHORT
CAL_QUARTER
CAL_QUARTER_DESCR
CAL_YEAR
MONTH_DAYS_COUNT
MONTH_WORK_DAYS_COUNT
FISCAL_YEAR
FISCAL_QUARTER
FISCAL_QUARTER_DESCR
ACCOUNTING_PERIOD

PROJECT_GRANT_TBL
PROJECT_GRANT
PROJECT_GRANT_EFFDT
PROJECT_GRANT_EFF_STATUS
PROJECT_GRANT_TITLE
PROJECT_GRANT_TYPE
MINORITY_SUB
PROJ_GRANT_STATUS
PROJECT_GRANT_START_DT
PROJECT_GRANT_END_DT
INITIAL_FUND_CODE
INITIAL_DEPTID
PROJ_GRT_BUD_PERIOD_START_DT
PROJ_GRT_BUD_PERIOD_END_DT
PROJ_GRT_DIR_CNTCT_EMPLID
PROJ_GRT_DIR_CNTCT_NAME
SINGLE_ADMIN_CNTCT_EMPLID
SINGLE_ADMIN_CNTCT_NAME
FIN_OPS_CNTCT_CD
FIN_OPS_CNTCT_EMPLID
FIN_OPS_CNTCT_NAME
DRDA_CNTCT_EMPLID
DRDA_CNTCT_NAME
SPONSOR
SPONSOR_DESCR100
SPONSOR_TYPE
SPONSOR_TYPE_DESCR
SPONSOR_CLASS
SPONSOR_CLASS_DESCR
SPONSOR_AWARD
SPONSOR_DOC_NBR
PAYMENT_TYPE
LOC_FUNDED
CFDA_NBR
DRDA_NBR
PARENT_PROJ_GRANT
IC_BASIS
IC_RATE_PCT
CLASS
PROGRAM_CODE
PROJ_GRT_BILLED_BY
BILL_SPONSOR
BILL_SPONSOR_DESCR100
SUB_CONTRACT_AWARDEE
SUB_CONTRACT_AWARDEE_DESCR100
BUDG_MUST_EQUAL_REV
REPORTING_BUDGET_AMT
ISR_REPORT_GRP
ISR_REPORT_GRP_DESCR
ISR_REPORT_SUBGRP
ISR_REPORT_SUBGRP_DESCR

FUND_TBL
FUND_CODE
FUND_EFFDT
FUND_EFF_STATUS
FUND_DESCR
FUND_GRP
FUND_GRP_DESCR

PROGRAM_TBL
PROGRAM_CODE
PROGRAM_EFFDT
PROGRAM_EFF_STATUS
PROGRAM_DESCR

CLASS_CF_TBL
CLASS
CLASS_EFFDT
CLASS_EFF_STATUS
CLASS_DESCR
CLASS_GRP
CLASS_GRP_DESCR

CAL_DETTP_TBL
FISCAL_YEAR
ACCOUNTING_PERIOD
CAL_MONTH_CODE
CAL_MONTH_DESCR
CAL_YEAR
ACCTG_PERIOD_BEGIN_DT
ACCTG_PERIOD_END_DT

Legend	
<u> </u>	= Key Field
—→	= One to One
→	= One to Many
↔	= Many to Many
—○—	= Outer Join
▭	= Secured Table
- - - - -	= Check Status Table for refresh date

SHORTCODE
SHORTCODE
SHORTCODE_EFFDT
SHORTCODE_EFF_STATUS
SHORTCODE_DESCR
FUND_CODE
DEPTID
PROGRAM_CODE
CLASS
PROJECT_GRANT

Human Resource Tables

HE_DEPT_TBL
<u>DEPTID</u>
DEPT_EFFDT
DEPT_END_DT
DEPT_EFF_STATUS
DEPT_DESCR
DEPT_GRP
DEPT_GRP_DESCR
DEPT_GRP_VP_AREA
DEPT_GRP_VP_AREA_DESCR
DEPT_GRP_CAMPUS
DEPT_GRP_CAMPUS_DESCR
DEPT_ESTABLISHMENT
DEPT_ESTABLISHMENT_DESCR
DEPT_TENURE_FLG
DEPT_MANAGER_ID
DEPT_MANAGER_CAMPUS_ID
MANAGER_NAME
BENEFIT_GRP
BENEFIT_GRP_DESCRSHORT
TIMEKEEP_SYS
TIMEKEEP_SYS_DESCRSHORT
POSTING_PTO
PRIMARY_CIP
PRIMARY_CIP_DESCR
SECOND_CIP
SECOND_CIP_DESCR
COMMON_CIP
COMMON_CIP_DESCR

HRMS_RPT_RECIPIENT
<u>DEPTID</u>
<u>HRMS_RPT_RECIPIENT_EFFDT</u>
<u>HRMS_RPT_TYPE</u>
HRMS_RPT_TYPE_DESCRSHORT
DEPT_DESCR
HRMS_RPT_RECIPIENT_EMPLID
HRMS_RPT_RECIPIENT_CAMPUS_ID
HRMS_RPT_RECIPIENT_NAME
HRMS_RPT_RECIPIENT_ADDRESS1
HRMS_RPT_RECIPIENT_ADDRESS2
HRMS_RPT_RECIPIENT_ADDRESS3
HRMS_RPT_RECIPIENT_CITY
HRMS_RPT_RECIPIENT_STATE
HRMS_RPT_RECIPIENT_POSTAL
HRMS_RPT_RECIPIENT_COUNTRY
HRMS_RPT_RECIPIENT_PHONE

JOBCODE_TBL
<u>JOBCODE</u>
<u>JOBCODE_EFFDT</u>
JOBCODE_END_DATE
JOBCODE_EFF_STATUS
JOBCODE_STATUS_IND
JOBCODE_DESCR
JOB_FAMILY
JOB_FAMILY_DESCR
BEN_FAMILY
BEN_FAMILY_DESCR
SAL_ADMIN_PLAN
SAL_ADMIN_PLAN_DESCR
SAL_GRADE
SAL_GRADE_DESCR
REG_TEMP
REG_TEMP_DESCRSHORT
MIN_RT_HOURLY
MID_RT_HOURLY
MAX_RT_HOURLY
MIN_RT_MONTHLY
MID_RT_MONTHLY
MAX_RT_MONTHLY
MIN_RT_ANNUAL
MID_RT_ANNUAL
MAX_RT_ANNUAL
EG_ACADEMIC_RANK
EG_ACADEMIC_RANK_DESCR
EG_RANK_IPEDS
EG_RANK_IPEDS_DESCR
EG_TRACK_FLAG
FLSA_STATUS
FLSA_STATUS_DESCRSHORT
IPEDSSCODE
IPEDSSCODE_DESCR
JOBGROUP
JOBGROUP_DESCR
JOBCODE_PAYGROUP
JOBCODE_PAYGROUP_DESCR
JOBCODE_MGT_COMM_CD
JOBCODE_MGT_COMM_DESCR
REGENTAL_APPROVAL
UNION_CD
UNION_DESCR

DEPT_BUDGET_ERN
<u>APPT_DEPTID</u>
<u>EMPLID</u>
<u>EMPL_RCD</u>
<u>DEPT_BUDGET_ERN_EFFDT</u>
<u>DEPT_BUDGET_ERN_SEQ</u>
<u>SHORTCODE</u>
SHORTCODE_DESCR
FUND_CODE
FUNDING_DEPTID
FUNDING_DEPT_DESCR
FUNDING_DEPT_GRP
FUNDING_DEPT_GRP_DESCR
FUNDING_DEPT_GRP_VP_AREA
FUNDING_DEPT_GRP_VP_AREA_DESCR
FUNDING_DEPT_GRP_CAMPUS
FUNDING_DEPT_GRP_CAMPUS_DESCR
FUNDING_NEXT_HIGHER_DEPTID
PROGRAM_CODE
CLASS
PROJECT_GRANT
DIST_PCT
PERCENT_EFFORT
FUNDING_END_DT
SPON_RES_POOL

PERS_ADMIN_DEPT
<u>EMPLID</u>
<u>ADMIN_DEPT_EFFDT</u>
ADMIN_DEPT_END_DT
ADMIN_DEPTID
ADMIN_DEPT_DESCR
ADMIN_DEPT_GRP
ADMIN_DEPT_GRP_DESCR
ADMIN_DEPT_GRP_VP_AREA
ADMIN_DEPT_GRP_VP_AREA_DESCR
ADMIN_DEPT_GRP_CAMPUS
ADMIN_DEPT_GRP_CAMPUS_DESCR
ADMIN_NEXT_HIGHER_DEPTID

Legend	
<u>Underline</u>	= Key Field
—	= One to One
—→	= One to Many
←→	= Many to Many
—○	= Outer Join
▭	= Secured Table
[- - -]	= Check Status Table for refresh date

Payroll Tables Description

The Payroll Tables Description provides the following information for each table in the U-M Data Warehouse Payroll data set:

<i>Physical Table Name</i>	Name for the table you can use in SQL queries.
<i>Logical Table Name</i>	Descriptive name of the table.
<i>Data Set Locations</i>	The names of the data sets in which the table resides.
<i>Table Description</i>	Description of the table.

The tables are ordered alphabetically by table physical name.

Physical Table Name	Logical Table Name	Data Set Locations	Table Description
ACCOUNT_TBL	Account	M_GLDW1	Historical characteristics of accounts, such as account name, type and associated group. Contains all accounts except budget offset accounts.
CALENDAR	Calendar	M_TLDW1	Information about calendar date
CAL_DETP_TBL	Calendar	M_GLDW1	Begin and end calendar dates that define the University's fiscal year and accounting periods.
CLASS_CF_TBL	Class Chartfield	M_GLDW1	Historical characteristics of the chartfield class, such as name and associated groups.
DEPT_BUDGET_ERN	Department Budget Earnings	M_HRDW1	Information about the distribution, across shortcodes, of job compensation, including overtime.
EARNINGS_TBL	Earnings Codes	M_PYDW1	Information about how earnings are calculated and taxed.
EMPL_CONTRB_PAY_DED_DIST	Employee Contribution Payroll Deduction Fund Distribution	M_PYDW1	Employee Contribution deduction information.
EMPL_CONTRB_PAY_TAX_DIST	Employee Contribution Payroll Tax Distribution	M_PYDW1	Employee Contribution tax distribution information.
FUND_TBL	Fund	M_GLDW1	Historical characteristics of fund codes, such as name and associated groups.
HE_DEPT_TBL	Higher Education Department	M_HRDW1	Historical characteristics of departments, such as department name. This table includes Human Resource specific information as well, such as benefit group and timekeeping system information.
HR_ACCTG_LINE	Human Resource Accounting Line	M_PYDW1	Consolidated public sector payroll accounting detail, interfaces with Financials.
HRMS_RPT_RECIPIENT	Human Resource Management Systems Report Recipient	M_HRDW1	The name and delivery address where a department's Human Resource Management Systems (HRMS) reports, such as gross pay register, and personnel reports, are delivered.
JOBCODE_TBL	JobCode	M_HRDW1	Description, characteristics, and history of job codes, including such elements as salary grade/job role, job/career family, sal admin plan/career band, and union code.
PAY_CHECK	Pay Check	M_PYDW1	Summary information of the outcome of the payroll confirmation process. It contains paycheck information by individual including pay period identification fields, name and total gross and net amounts.
PAY_ERN_DIST	Pay Earnings Distribution	M_PYDW1	Employees gross earnings distribution.
PAY_ESTMT	Payroll Estimates	M_PYDW1	Estimated gross pay and benefit costs for regular employees by accounting period, based on the appropriate Human Resources data. This table contains information for one previous fiscal year, the current fiscal year and one future fiscal year.

Physical Table Name	Logical Table Name	Data Set Locations	Table Description
PAY_SUMMARY	Pay Summary	M_PYDW1	Summary of gross pay and fringe benefit payments by company, fiscal_year, accounting_period, shortcode for an employee.
PERS_ADMIN_DEPT	Person Administrative Department	M_HRDW1	Information about the department which is responsible for the terms and conditions of employment for an employee.
PERSON_ALT_IDENT_HIST	Person Alternate Identifier History	M_PYDW1	Social security number history for employees. Social Security numbers can change for a number of reasons. Two of them are: 1) error in the number; 2) non-US citizen employees are given a temporary number to use until their official number is received from the government.
PROGRAM_TBL	Program	M_GLDW1	Historical characteristics of program codes, such as description.
PROJECT_GRANT_TBL	Project/Grant	M_GLDW1	Historical characteristics of project/grants, such as title, amount and type.
PY_COMMENTS	Payroll Comments	M_PYDW1	Employees gross earnings distribution descriptive text.
PYSTATUS	Payroll Status	M_PYDW1	Status of the update schedule for the Payroll tables.
SHORTCODE	Shortcode	M_HRDW1	Historical characteristics of shortcodes, such as description and chartfield combination associated with the shortcode.
UNIV_CONTRB_PAY_DED_DIST	University Contribution Payroll Deduction Distribution	M_PYDW1	University Contribution deduction information.
UNIV_CONTRB_PAY_TAX_DIST	University Contribution Payroll Tax Distribution	M_PYDW1	University Contribution tax distribution information.

Payroll Data Element Dictionary

The Payroll Data Element Dictionary contains all the elements found in the U-M Data Warehouse Payroll Tables, ordered alphabetically by element name. Here is a description of the information that the dictionary provides for each element:

<i>Physical Element Name</i>	Name for the element you can use in SQL queries.	
<i>Logical Element Name</i>	Descriptive name of the element.	
<i>Format Type</i>	Type of value of the element (for example: character, number, or date). <i>Note:</i> If the format type for an element is character or date, you must enclose the variable value in single quotes when entering queries.	
<i>Format Length</i>	Total length of the element. For data elements in the format “number,number”, the first number represents the total length of the element. The second number represents the number of digits to the right of the decimal.	
<i>Data Sets</i>	The names of the data sets that contain the element.	
<i>Table Locations</i>	The names of the tables in which the element is located.	
<i>Security Code</i>	The level of security imposed on the element. Values are:	
	P Public data	Data with no access restriction that may be released to the general public.
	R Private/ Confidential data	Data available to University employees who need to access these data to perform their official University duties. Unless otherwise noted, all institutional data is designated as Private/Confidential.
	S Sensitive data	Data available only to University employees who have specific authorization for access. Never release sensitive data in a manner that enables identifying data element values with a specific person or persons.
<i>Element Definition</i>	Description of the element.	
<i>Examples of Valid Values</i>	Either the specific codes that are valid for the element, or samples of the kind of values for the element.	

Physical Element Name	Logical Element Name	Format Type	Format Length	Data Set	Table Locations	Security Code	Element Definition	Examples of Valid Values
ABBR_FLG	Annual Base Benefits Rate Code	Character	1	M_PYDW1	EARNINGS_TBL PAY_ERN_DIST	R	A code indicating whether the earnings code adds to the Annual Base Benefits Rate.	Y = Yes; N = No
ACCOUNT	Account Code	Character	6	M_PYDW1 M_GLDW1	EMPL_CONTRB_PAY_DED_DIST EMPL_CONTRB_PAY_TAX_DIST HR_ACCTG_LINE PAY_ERN_DIST PAY_ESTMT PAY_SUMMARY UNIV_CONTRB_PAY_DED_DIST UNIV_CONTRB_PAY_TAX_DIST ACCOUNT_TBL	R	A code used to record and summarize financial transactions such as assets, liabilities, fund balances, revenues, expenses, statistics or budget accounts. Note: The account in PAY_SUMMARY is determined by using the account associated with the maximum earnings amount for an individual by shortcode.	122100 = Accounts & Notes Receivable; 615020 = Postage/ Mailing; SHR = Investment Shares
ACCOUNT_DESCR	Account Name	Character	30	M_GLDW1	ACCOUNT_TBL	R	The title assigned to record and summarize financial transactions such as assets, liabilities, fund balances, revenues, expenses, statistics or budget accounts.	Accounts & Notes Receivable; Postage/Mailing; Investment Shares
ACCOUNT_DESCRLONG	Account Long Description	Long	2000	M_GLDW1	ACCOUNT_TBL	R	A long textual description of the code used to record and summarize financial transactions such as assets, liabilities, fund balances, revenues, expenses, statistics or budget accounts.	Accounts & Notes Receivable; For all postage expenses. Used for postage related expenses, including stamps
ACCOUNT_EFF_STATUS	Account Effective Status Code	Character	1	M_GLDW1	ACCOUNT_TBL	R	A code specifying the current status of a U of M account.	A = Active; I = Inactive
ACCOUNT_EFFDT	Account Effective Date	Date		M_GLDW1	ACCOUNT_TBL	R	The date on which the account status becomes effective.	07/01/2001
ACCOUNT_GRP	Account Group Code	Character	20	M_GLDW1	ACCOUNT_TBL	R	A code used to group accounts. Note: sourced from the UM_ACCT_GROUP tree.	BANK_CASH; GENERAL_EXPENSES
ACCOUNT_GRP_DESCR	Account Group Description	Character	30	M_GLDW1	ACCOUNT_TBL	R	A textual description of the code used to group accounts.	Bank Cash; General Expenses
ACCOUNT_GRP_GASB	Account Group Governmental Accounting Standard Board Code	Character	20	M_GLDW1	ACCOUNT_TBL	R	A code used to group accounts for U of M to meet financial reporting standards. Note: sourced from the UM_ACCT_GASB tree.	SCHOLAR_AND_FELLOW = Scholarships and Fellowships; ACCOUNTS_PAYABLE = Accounts Payable; OTHER_REV_EXP = Other

Physical Element Name	Logical Element Name	Format Type	Format Length	Data Set	Table Locations	Security Code	Element Definition	Examples of Valid Values
ACCOUNT_GRP_GASB_DESCR	Account Group Governmental Accounting Standard Board Description	Character	30	M_GLDW1	ACCOUNT_TBL	R	A textual description of the code used to group accounts for U of M to meet financial reporting standards.	Scholarships and Fellowships; Accounts Payable; Other
ACCOUNT_GRP_ISR_BUDGET_DESCR	Account Group Institute for Social Research (ISR) Budget Description	Character	30	M_GLDW1	ACCOUNT_TBL	R	A textual description of the code used to associate expense accounts with higher-level budgetary accounts used for ISR Budgets.	Research Salaries; DST Salaries; Stipends
ACCOUNT_GRP_ISR_BUDGET	Account Group Institute for Social Research (ISR) Budget Code	Character	6	M_GLDW1	ACCOUNT_TBL	R	A code used to associate expense accounts with higher-level budgetary accounts used for ISR Budget. Note: sourced from the BUD_TRAN_ACCT_ISR tree.	911000 = Research Salaries; 911250 = DST Salaries; 911600 = Stipends
ACCOUNT_GRP_MED_SCH	Account Group Medical School Code	Character	20	M_GLDW1	ACCOUNT_TBL	R	A code used to group revenue and expense accounts that are similar in nature, and represent the Medical School's financial line descriptions from the MEDSCH_ACCT_RNG2 tree.	MS_CLINIC_EXPENSE = Clinic Expenses; MS_MALPRACTICE = Malpractice; MS_PRIMARY_CARE_SUPP = Primary Care Support
ACCOUNT_GRP_MED_SCH_DESCR	Account Group Medical School Description	Character	30	M_GLDW1	ACCOUNT_TBL	R	A textual description of the code used to group revenue and expense accounts that are similar in nature, and represent the Medical School's financial line descriptions from the MEDSCH_ACCT_RNG2 tree.	Clinic Expenses; Malpractice; Primary Care Support
ACCOUNT_GRP_SP_VOL_RES_DESCR	Account Group Sponsored Programs Volume Research Description	Character	30	M_GLDW1	ACCOUNT_TBL	R	A textual description of the code used to group accounts by sponsored research.	Salaries and Wages; Transfers and Distributions; Indirect Cost
ACCOUNT_GRP_SP_VOL_RES	Account Group Sponsored Programs Volume Research Code	Character	20	M_GLDW1	ACCOUNT_TBL	R	A code used to group accounts by sponsored research. Note: sourced from the SP_VOL_RESRCH_ACCT tree.	SAL_AND_WAGES = Salaries and Wages; TRANSFERS_AND_DIST = Transfers and Distributions; INDIRECT_COST = Indirect Cost

Physical Element Name	Logical Element Name	Format Type	Format Length	Data Set	Table Locations	Security Code	Element Definition	Examples of Valid Values
ACCOUNT_GRP_SPON_PROJ	Account Group Sponsored Project Code	Character	20	M_GLDW1	ACCOUNT_TBL	R	A code used to associate expense accounts with higher-level budgetary accounts used for sponsored projects. Note: sourced from the BUD_TRAN_ACCT_WP tree.	911000 = Research Salaries; 911250 = DST Salaries; 911600 = Stipends
ACCOUNT_GRP_SPON_PROJ_DESCR	Account Group Sponsored Project Description	Character	30	M_GLDW1	ACCOUNT_TBL	R	A textual description of the code used to associate expense accounts with higher-level budgetary accounts used for sponsored projects.	Research Salaries; DST Salaries; Stipends
ACCOUNT_GRP_SRC_USE_TYPE	Account Group Source Use Type Code	Character	10	M_GLDW1	ACCOUNT_TBL	R	A code indicating whether an account is a source (revenue) or a use (expense). This is used for reporting to the Office of Budget Planning. Note: sourced from the UM_SRC_USE_ACCT tree.	Source; Use
ACCOUNT_GRP_SRC_USE	Account Group Source Use Code	Character	20	M_GLDW1	ACCOUNT_TBL	R	A code used to group accounts based on the Source/Use model. Note: sourced from the UM_SRC_USE_ACCT tree.	FED GRANTS/ CONTRACTS; GIFTS; FACULTY SALARIES
ACCOUNT_GRP_SRC_USE_DESCR	Account Group Source Use Description	Character	30	M_GLDW1	ACCOUNT_TBL	R	A textual description of the code used to group accounts based on the Source/Use model.	Federal Grants/Contracts; Gifts; Faculty Salaries
ACCOUNT_TYPE	Account Type Code	Character	1	M_GLDW1	ACCOUNT_TBL	R	A code used to indicate the type of account.	A = Asset; E = Expense
ACCOUNT_TYPE_DESCR	Account Type Description	Character	30	M_GLDW1	ACCOUNT_TBL	R	A textual description of the code used to indicate the type of account.	Asset; Expense
ACCOUNTING_DT	Accounting Date	Date		M_PYDW1	EMPL_CONTRB_PAY_DED_DIST EMPL_CONTRB_PAY_TAX_DIST HR_ACCTG_LINE PAY_ERN_DIST UNIV_CONTRB_PAY_DED_DIST UNIV_CONTRB_PAY_TAX_DIST	R	The accounting date associated with the transaction. This is the check date.	01/01/1999

Physical Element Name	Logical Element Name	Format Type	Format Length	Data Set	Table Locations	Security Code	Element Definition	Examples of Valid Values
ACCOUNTING_PERIOD	Accounting Period Code	Number	3	M_GLDW1	CAL_DEPT_TBL	R	A code used to identify the university accounting period which represents a fiscal calendar month.	3; 4; 9
				M_PYDW1	EMPL_CONTRB_PAY_DED_DIST EMPL_CONTRB_PAY_TAX_DIST HR_ACCTG_LINE PAY_ERN_DIST PAY_ESTMT PAY_SUMMARY UNIV_CONTRB_PAY_DED_DIST UNIV_CONTRB_PAY_TAX_DIST			
				M_TLDW1	CALENDAR			
ACCTG_PERIOD_BEGIN_DT	Accounting Period Start Date	Date		M_GLDW1	CAL_DETP_TBL	R	The date on which an accounting period begins. The beginning date is in the format MM/DD/YYYY.	01/01/1999
ACCTG_PERIOD_END_DT	Accounting Period End Date	Date		M_GLDW1	CAL_DETP_TBL	R	The date on which an accounting period ends. The ending date is in the format MM/DD/YYYY.	02/28/1999
ADD_GROSS	Add to Gross Pay Code	Character	1	M_PYDW1	EARNINGS_TBL	R	A code indicating whether the earnings code adds to gross pay.	Y = Yes; N = No
ADMIN_DEPT_DESCR	Administrative Department Description	Character	30	M_HRDW1	PERS_ADMIN_DEPT	R	A textual description of the code indicating the department which is responsible for the terms and conditions of employment for an employee.	Physics Department; College of Lit, Science & Arts;
ADMIN_DEPT_EFFDT	Administrative Department Effective Date	Date		M_HRDW1	PERS_ADMIN_DEPT	R	The date when the administrative department status becomes effective.	06/07/2001; 10/12/2002
ADMIN_DEPT_END_DT	Administrative Department End Date	Date		M_HRDW1	PERS_ADMIN_DEPT	R	The last date on which a person's administrative department row is effective.	10/15/2001
ADMIN_DEPT_GRP	Administrative Department Group Code	Character	20	M_HRDW1	PERS_ADMIN_DEPT	R	A code indicating the department group of the employee's administrative department. This code is used to group U of M schools, colleges, administrative areas, and vice presidential areas.	COLLEGE_OF_LS&A; MEDICAL_SCHOOL
ADMIN_DEPT_GRP_CAMPUS	Administrative Department Group Campus Code	Character	20	M_HRDW1	PERS_ADMIN_DEPT	R	A code indicating the campus of the employee's administrative department.	UM_ANN-ARBOR; UM_DEARBORN; UM_FLINT

Physical Element Name	Logical Element Name	Format Type	Format Length	Data Set	Table Locations	Security Code	Element Definition	Examples of Valid Values
ADMIN_DEPT_GRP_CAMPUS_DESCR	Administrative Department Group Campus Description	Character	30	M_HRDW1	PERS_ADMIN_DEPT	R	A textual description of the code indicating the campus of the employee's administrative department.	Univ of Mich-Ann-Arbor; Univ of Mich-Dearborn; Univ of Mich-Flint
ADMIN_DEPT_GRP_DESCR	Administrative Department Group Description	Character	30	M_HRDW1	PERS_ADMIN_DEPT	R	A textual description of the code indicating the department group of the employee's administrative department. This code is used to group U of M schools, colleges, administrative areas, and vice presidential areas.	College of Lit, Science and Arts; Medical School
ADMIN_DEPT_GRP_VP_AREA	Administrative Department Group Vice President Area Code	Character	20	M_HRDW1	PERS_ADMIN_DEPT	R	A code indicating the vice presidential area of the employee's administrative department by President, Vice President, or Chancellor, based on direct reporting lines.	PRVST_EXC_VP_ACA_AFF; VP_STUDENT_AFFAIRS
ADMIN_DEPT_GRP_VP_AREA_DESCR	Administrative Department Group Vice President Area Description	Character	30	M_HRDW1	PERS_ADMIN_DEPT	R	A textual description of the code indicating the vice presidential area of the employee's administrative department by President, Vice President, or Chancellor, based on direct reporting lines.	Provost & Exec VP Academic Aff; VP for Student Affairs
ADMIN_DEPTID	Administrative Department Identification Code	Character	10	M_HRDW1	PERS_ADMIN_DEPT	R	A code indicating the department which is responsible for the terms and conditions of employment for an employee.	184500 = Physics Department; 170000 = College of Lit, Science & Arts
ADMIN_NEXT_HIGHER_DEPTID	Administrative Department Next Higher Department Identification Code	Character	10	M_HRDW1	PERS_ADMIN_DEPT	R	A code representing the department on the department tree one level up from the employee's administrative department. This data is based on the Department Security Tree.	172200 = LS&A Natural Science Department; 102500 = Off Provost & Exec VP Acad Aff
ALLOW_EMPLTYPE	Allowable Employee Type Code	Character	1	M_PYDW1	EARNINGS_TBL	R	A code representing the type of employee to which an earnings code applies.	A = All Types Allowable; H = Hourly and Exception Hourly; S = Salary

Physical Element Name	Logical Element Name	Format Type	Format Length	Data Set	Table Locations	Security Code	Element Definition	Examples of Valid Values
ALLOW_EMPLTYPE_DESCRSHORT	Allowable Employee Type Short Description	Character	10	M_PYDW1	EARNINGS_TBL	R	An abbreviated textual description of the code representing the type of employee to which an earnings code applies.	All; Hourly; Salaried
APPL_JRNL_ID	Journal Template	Character	10	M_PYDW1	EMPL_CONTRB_PAY_DED_DIST EMPL_CONTRB_PAY_TAX_DIST HR_ACCTG_LINE PAY_ERN_DIST UNIV_CONTRB_PAY_DED_DIST UNIV_CONTRB_PAY_TAX_DIST	R	A value indicating the type of transaction creating the accounting entries. This identifies the transaction source and pay frequency.	PYBIWEEKLY; PYMONTHLY; PYWEEKLY
APPT_DEPT_DESCR	Appointing Department Description	Character	30	M_PYDW1	PAY_ESTMT	R	A textual description of the code indicating the department which is granting an appointment and may be responsible for commitment of title and tenure. This may or may not be the department responsible for funding the appointment.	Physics Department; College of Lit, Science & Arts; UMH Administration
APPT_DEPT_GRP	Appointing Department Group Code	Character	20	M_PYDW1	PAY_ESTMT	R	A code indicating the department group of the employee's appointing department. This code is used to group U of M schools, colleges, administrative areas, and vice presidential areas.	COLLEGE_OF_LS&A; MEDICAL_SCHOOL; UM_HOSPITAL
APPT_DEPTID	Appointing Department Identification Code	Character	10	M_HRDW1	DEPT_BUDGET_ERN	R	A code indicating the department which is granting an appointment and may be responsible for commitment of title and tenure. This may or may not be the department responsible for funding the appointment.	184500 = Physics Department; 170000 = College of Lit, Science & Arts; 311679 = UMH Administration
				M_PYDW1	PAY_CHECK PAY_ERN_DIST PAY_ESTMT			
APPT_PERIOD	Appointment Period Code	Character	1	M_PYDW1	PAY_ESTMT	R	A code describing the time period associated with the full time rate for an appointment.	4 = U-Year AA; B = Biweekly; H = Half Term
AUDIT_STAMP	Audit Stamp	Date/Time		M_PYDW1	PERSON_ALT_IDENT_HIST	R	The date and time the last update was performed.	01/01/2000 12:31:00 PM
BEN_FAMILY	Benefits Family Code	Character	4	M_HRDW1	JOBCODE_TBL	R	A code which groups employees for benefits eligibility.	01 = Professor; 23 = AsstResSc; 70 = Office

Physical Element Name	Logical Element Name	Format Type	Format Length	Data Set	Table Locations	Security Code	Element Definition	Examples of Valid Values
BEN_FAMILY_DESCR	Benefits Family Description	Character	30	M_HRDW1	JOBCODE_TBL	R	A textual description of the code which groups employees for benefits eligibility.	Professor; Assistant Research Scientist; Office
BENEFIT_GRP	Benefit Group Code	Character	1	M_HRDW1	HE_DEPT_TBL	R	A code indicating whether a department is considered a hospital department for benefits purposes.	H = Hospital; O = Other
BENEFIT_GRP_DESCRSHORT	Benefit Group Short Description	Character	10	M_HRDW1	HE_DEPT_TBL	R	An abbreviated textual description of the code indicating whether a department is considered a hospital department for benefits purposes.	Hospital; Other
BENEFIT_PLAN	Benefit Plan Code	Character	6	M_PYDW1	EMPL_CONTRB_PAY_DED_DIST UNIV_CONTRB_PAY_DED_DIST	R	A code indicating the type of benefit plan.	MCAR = MCARHMO; DENT 2 = Dnt Opt 2; UGLI = Univ Gli
BENEFIT_PLAN_DESCRSHORT	Benefit Plan Short Description	Character	10	M_PYDW1	EMPL_CONTRB_PAY_DED_DIST UNIV_CONTRB_PAY_DED_DIST	R	An abbreviated textual description of the code indicating the name of benefit plan.	MCARHMO; Dnt Opt 2; Univ Gli
BILL_SPONSOR	Billing Sponsor Code	Character	6	M_GLDW1	PROJECT_GRANT_TBL	R	A code representing the awarding department.	288000 = Ford Motor Company; 573040 = Michigan, State of, Education, Department of; 895700 = Health and Human Services, Department of- National Institutes of Health
BILL_SPONSOR_DESCR100	Billing Sponsor Code Description	Character	100	M_GLDW1	PROJECT_GRANT_TBL	R	A textual description of the code representing the awarding department.	Ford Motor Company; Michigan, State of, Education, Department of; Health and Human Services, Department of- National Institutes of Health
BUDG_MUST_EQUAL_REV	Budget Must Equal Revenue Code	Character	1	M_GLDW1	PROJECT_GRANT_TBL	R	A code specifying that a budget must equal the incoming revenue.	Y = Yes; N = No
BUDGET_DATA	Budget Data	Character	50	M_PYDW1	EMPL_CONTRB_PAY_DED_DIST EMPL_CONTRB_PAY_TAX_DIST PAY_ERN_DIST UNIV_CONTRB_PAY_DED_DIST UNIV_CONTRB_PAY_TAX_DIST	R	A text field which combines the account, appointing department identification number, jobcode and employment record number to help uniquely identify a row.	556300 753000 510300 00000000; 510200 753000 259000 00000000; 590000 00000000
CAL_DATE	Calendar Date	Date		M_TLDW1	CALENDAR	R	The numerical representation of a specific day based on the Gregorian Calendar. In the format MM/DD/CCYY.	01/01/1999

Physical Element Name	Logical Element Name	Format Type	Format Length	Data Set	Table Locations	Security Code	Element Definition	Examples of Valid Values
CAL_DAY	Calendar Day Code	Character	3	M_TLDW1	CALENDAR	R	A code representing the day of the week.	Mon; Tue; Sat
CAL_DAY_DESCRSHORT	Calendar Day Short Description	Character	10	M_TLDW1	CALENDAR	R	An abbreviated textual description of the code representing the day of the week.	Monday; Tuesday; Saturday
CAL_DAY_NBR_IN_WEEK	Calendar Day Number In Week	Number	1	M_TLDW1	CALENDAR	R	A number representing the order of a day in a week.	1 = Sunday; 2 = Monday; 3 = Tuesday
CAL_MONTH_CODE	Calendar Month Code	Character	2	M_TLDW1	CALENDAR	R	A code representing the calendar month.	07 = July; 08 = August; 12 = December
				M_GLDW1	CAL_DETP_TBL			
CAL_MONTH_DESCR	Calendar Month Description	Character	30	M_TLDW1	CALENDAR	R	The name of the calendar month.	July; August; December
				M_GLDW1	CAL_DETP_TBL			
CAL_MONTH_DESCRSHORT	Calendar Month Short Description	Character	10	M_TLDW1	CALENDAR	R	The abbreviated name of the calendar month.	Jul; Aug; Dec
CAL_QUARTER	Calendar Quarter Code	Character	3	M_TLDW1	CALENDAR	R	A code representing the quarter in relation to calendar year.	CQ1 = 1st Qtr (Jan-Mar); CQ2 = 2nd Qtr (Apr-June); CQ3 = 3rd Qtr (July-Sept); CQ4 = 4th Qtr (Oct-Dec)
CAL_QUARTER_DESCR	Calendar Quarter Code Description	Character	30	M_TLDW1	CALENDAR	R	A textual description of the code representing the quarter in relation to calendar year.	1st Qtr (Jan-Mar); 2nd Qtr (Apr-June); 3rd Qtr (July-Sept); 4th Qtr (Oct-Dec)
CAL_YEAR	Calendar Year	Character	4	M_TLDW1	CALENDAR	R	A number representing the year beginning January 1 and ending December 31 in the format of CCYY.	1998; 1999; 2000
				M_GLDW1	CAL_DETP_TBL			
CFDA_NBR	Catalog Of Federal Domestic Assistance Number Code	Number	5,3	M_GLDW1	PROJECT_GRANT_TBL	R	A code designated by the Federal Government representing the type of grant awarded.	81.049; 93.864; 93.989
CHECK_DT	Paycheck Issue Date	Date		M_PYDW1	EMPL_CONTRB_PAY_DED_DIST EMPL_CONTRB_PAY_TAX_DIST PAY_CHECK PAY_ERN_DIST UNIV_CONTRB_PAY_DED_DIST UNIV_CONTRB_PAY_TAX_DIST	R	The date on which the funds are either debited or credited on an actual account for payroll purposes. This represents the paydate.	01/01/1998

Physical Element Name	Logical Element Name	Format Type	Format Length	Data Set	Table Locations	Security Code	Element Definition	Examples of Valid Values
CLASS	Class Code	Character	5	M_GLDW1	CLASS_CF_TBL PROJECT_GRANT_TBL	R	A code used to group related activities directed towards the accomplishment of a set of common identifiable objectives or purposes.	11000 = General Academic Instruction; 21000= Departmental Research; 72000 = Utilities; 1100x = Gen Acad Instr-ICRX
				M_PYDW1	EMPL_CONTRB_PAY_DED_DIST EMPL_CONTRB_PAY_TAX_DIST HR_ACCTG_LINE PAY_ERN_DIST PAY_ESTMT PAY_SUMMARY UNIV_CONTRB_PAY_DED_DIST UNIV_CONTRB_PAY_TAX_DIST			
				M_HRDW1	DEPT_BUDGET_ERN SHORTCODE			
CLASS_DESCR	Class Name	Character	30	M_GLDW1	CLASS_CF_TBL	R	A textual description of the code that groups related activities directed towards the accomplishment of a set of common identifiable objectives or purposes.	General Academic Instruction; Departmental Research; Utilities; Gen Acad Instr-ICRX
CLASS_EFF_STATUS	Class Effective Status Code	Character	1	M_GLDW1	CLASS_CF_TBL	R	A code specifying the current status of a class.	A = Active; I = Inactive
CLASS_EFFDT	Class Effective Date	Date		M_GLDW1	CLASS_CF_TBL	R	The date on which the class status becomes effective.	01/01/1998
CLASS_GRP	Class Group Code	Character	20	M_GLDW1	CLASS_CF_TBL	R	A code used to group classes that serve a similar purpose.	INSTRUCTION; ADMINISTRATION; SCHOLARSHIPS
CLASS_GRP_DESCR	Class Group Description	Character	30	M_GLDW1	CLASS_CF_TBL	R	A textual description of a code used to group classes that serve a similar purpose.	Instruction Functions; Administration Functions; Scholarship Functions
CLASS_INDC	Classified/ Unclassified Indicator Code	Character	1	M_PYDW1	EMPL_CONTRB_PAY_DED_DIST EMPL_CONTRB_PAY_TAX_DIST PAY_ERN_DIST PAY_ESTMT UNIV_CONTRB_PAY_DED_DIST UNIV_CONTRB_PAY_TAX_DIST	R	A code used to categorize appointments for administrative purposes. For example, when performing salary analysis, you may choose to exclude summer salary (CLASS_INDC = 'S').	A = Actg Appt; C = Regular; O = Over load; S = Summer; T = Temporary
COMMON_CIP	Common Classification Of Instructional Programs Code	Character	13	M_HRDW1	HE_DEPT_TBL	R	A code representing the tertiary classification used in governmental reporting of the specific academic field associated with a department.	54.0101 = History, General; 13.1314 = Physical Education Teaching an; 25.0101 = Library Science/Librarianship

Physical Element Name	Logical Element Name	Format Type	Format Length	Data Set	Table Locations	Security Code	Element Definition	Examples of Valid Values
COMMON_CIP_DESCR	Common Classification Of Instructional Programs Description	Character	30	M_HRDW1	HE_DEPT_TBL	R	A textual description of the code representing the tertiary classification used in governmental reporting of the specific academic field associated with a department.	History, General; Physical Education Teaching an; Library Science/Librarianship
COMP_FREQUENCY	Compensation Frequency Code	Character	1	M_PYDW1	PAY_ESTMT	R	A code indicating how the compensation rate is expressed. For example, if the compensation rate is annual, the compensation rate is expressed as a yearly rate.	A= Annual; H = Hourly; B = Biweekly
COMPANY	Company Code	Character	3	M_PYDW1	EMPL_CONTRB_PAY_DED_DIST EMPL_CONTRB_PAY_TAX_DIST PAY_CHECK PAY_ERN_DIST PAY_SUMMARY UNIV_CONTRB_PAY_DED_DIST UNIV_CONTRB_PAY_TAX_DIST	R	A code representing an entity identified by a Federal Employer Identification Number.	STR = Stdnt Rfnd ; UOM = Univ of Michigan
COMPRATE	Compensation Rate	Number	14,2	M_PYDW1	PAY_ERN_DIST PAY_ESTMT	R	A number representing the base compensation received by an employee for a job.	0.00; 934.52; 50,047.00; 573,681.68
CWS_ELIG_FLG	College Work Study Eligibility Code	Character	1	M_PYDW1	EARNINGS_TBL	R	A code indicating whether the earnings code will be eligible for the college work study subsidy.	Y = Yes; N = No
DED_AMT	Deduction Amount	Signed Number	10,2	M_PYDW1	EMPL_CONTRB_PAY_DED_DIST UNIV_CONTRB_PAY_DED_DIST	R	A number representing the amount taken from an employee's paycheck each pay period, including health or medical benefits, union dues, etc.	0.00; -297.47; 10.98
DED_CLASS	Deduction Classification Code	Character	1	M_PYDW1	EMPL_CONTRB_PAY_DED_DIST UNIV_CONTRB_PAY_DED_DIST	R	A code indicating the taxable nature of a deduction.	N = Nontaxable; P = PTax Ben;
DED_CLASS_DESCRSHORT	Deduction Classification Short Description	Character	10	M_PYDW1	EMPL_CONTRB_PAY_DED_DIST UNIV_CONTRB_PAY_DED_DIST	R	An abbreviated textual description of the code indicating the taxable nature of a deduction.	Nontaxable; PTax Ben;
DEDCD	Deduction Code	Character	6	M_PYDW1	EMPL_CONTRB_PAY_DED_DIST UNIV_CONTRB_PAY_DED_DIST	R	A code used to identify the specific type of deduction.	RETVOL = Retirement; RX = Pres Drugs; UCPARK = UCPARK

Physical Element Name	Logical Element Name	Format Type	Format Length	Data Set	Table Locations	Security Code	Element Definition	Examples of Valid Values
DEDCD_DESCRSHORT	Deduction Code Short Description	Character	10	M_PYDW1	EMPL_CONTRB_PAY_DED_DIST UNIV_CONTRB_PAY_DED_DIST	R	An abbreviated textual description of the code used to identify the specific type of deduction.	Retirement; Pres Drugs; UCPARK
DEPT_BUDGET_ERN_EFFDT	Department Budget Earnings Effective Date	Date		M_HRDW1	DEPT_BUDGET_ERN	R	The date on which the distribution of job compensation across shortcode(s) becomes effective.	12/03/2001
DEPT_BUDGET_ERN_SEQ	Department Budget Earnings Sequence Number	Number	2	M_HRDW1	DEPT_BUDGET_ERN	R	A system assigned number, which in combination with the appointing department identification number, employee identification number, employment record number, and effective date identifies a unique department budget earnings row.	0; 1; 2; 3
DEPT_DESCR	Department Name	Character	30	M_HRDW1	HE_DEPT_TBL HRMS_RPT_RECIPIENT	R	A textual description of the code that identifies each academic or administrative unit that has programmatic, operational and fiscal (including budgetary) responsibility.	Physics Department; College of Lit, Science & Arts; UMH Administration
DEPT_EFF_STATUS	Department Effective Status Code	Character	1	M_HRDW1	HE_DEPT_TBL	R	A code specifying the current status of a U of M department.	A = Active; I = Inactive
DEPT_EFFDT	Department Effective Date	Date		M_HRDW1	HE_DEPT_TBL	R	The date when the department status becomes effective.	01/01/1998
DEPT_END_DT	Department End Date	Date		M_HRDW1	HE_DEPT_TBL	R	The last date on which the department status is effective. September 9, 3999 represents that the department status is open-ended.	01/01/1999
DEPT_ESTABLISHMENT	Department Establishment Code	Character	12	M_HRDW1	HE_DEPT_TBL	R	A code representing the department location.	AA = Univ of Michigan - Ann Arbor; FLNT = Univ of Michigan - Flint; DRBN = Univ of Michigan - Dearborn; UMICH = Univ of Michigan - Hospital

Physical Element Name	Logical Element Name	Format Type	Format Length	Data Set	Table Locations	Security Code	Element Definition	Examples of Valid Values
DEPT_ESTABLISHMENT_DESCR	Department Establishment Description	Character	30	M_HRDW1	HE_DEPT_TBL	R	A textual description of the code representing the department location.	Univ of Michigan - Ann Arbor; Univ of Michigan – Flint; Univ of Michigan – Dearborn; Univ of Michigan – Hospital
DEPT_GRP	Department Group Code	Character	20	M_HRDW1	HE_DEPT_TBL	R	A code used to group U of M departments for reporting purposes. This code is used to group U of M schools, colleges, administrative areas, and vice presidential areas.	COLLEGE_OF_LS&A; MEDICAL_SCHOOL; UM_HOSPITAL
DEPT_GRP_CAMPUS	Department Group Campus Code	Character	20	M_HRDW1	HE_DEPT_TBL	R	A code used to identify department groups by campus.	UM_ANN-ARBOR; UM_DEARBORN; UM_FLINT
DEPT_GRP_CAMPUS_DESCR	Department Group Campus Description	Character	30	M_HRDW1	HE_DEPT_TBL	R	A textual description of the code used to identify department groups by campus.	Univ of Mich-Ann-Arbor; Univ of Mich-Dearborn; Univ of Mich-Flint
DEPT_GRP_DESCR	Department Group Description	Character	30	M_HRDW1	HE_DEPT_TBL	R	A textual description of the code used to group U of M departments for reporting purposes. This description is used to group U of M schools, colleges, administrative areas, and vice presidential areas.	College of Lit, Science and Arts; Medical School; U of M Hospital
DEPT_GRP_VP_AREA	Department Group Vice President Area Code	Character	20	M_HRDW1	HE_DEPT_TBL	R	A code used to group department groups by President, Vice President, or Chancellor, based on direct reporting lines.	PRVST_EXC_VP_ACA_AFF; VP_STUDENT_AFFAIRS; EXC_VP_MED_AFF
DEPT_GRP_VP_AREA_DESCR	Department Group Vice President Area Description	Character	30	M_HRDW1	HE_DEPT_TBL	R	A textual description of the code used to group department groups by President, Vice President, or Chancellor, based on direct reporting lines.	Provost & Exec VP Academic Aff; VP for Student Affairs; Exec. VP for Medical Affairs
DEPT_MANAGER_CAMPUS_ID	Department Manager Campus Identification Code	Character	16	M_HRDW1	HE_DEPT_TBL	R	The U of M Uniqname assigned to a person in a department who receives financial reports such as Statement of Activity. Automatically populated.	jsmith; anndoe

Physical Element Name	Logical Element Name	Format Type	Format Length	Data Set	Table Locations	Security Code	Element Definition	Examples of Valid Values
DEPT_MANAGER_ID	Department Manager Identification Code	Character	11	M_HRDW1	HE_DEPT_TBL	R	A system assigned number used to uniquely identify a person in a department who receives financial reports such as Statement of Activity.	0010170
DEPT_TENURE_FLG	Department Tenure Flag	Character	1	M_HRDW1	HE_DEPT_TBL	R	A code indicating whether a department is a tenure granting department.	Y = Yes; N = No
DEPTID	Department Identification Code	Character	10	M_HRDW1	HE_DEPT_TBL HRMS_RPT_RECIPIENT SHORTCODE	R	A code that identifies each academic or administrative unit that has programmatic, operational and fiscal (including budgetary) responsibility.	184500 = Physics Department; 170000 = College of Lit, Science & Arts; 311679 = UMH Administration
DIST_PCT	Distribution Percentage	Number	6,3	M_PYDW1	PAY_ESTMT	R	The percentage of an employee's compensation rate that is distributed to a specific shortcode for payment.	0.000; 0.740; 3.992; 75.000; 100.000
				M_HRDW1	DEPT_BUDGET_ERN			
DRDA_CNTCT_EMPLID	Division of Research Development and Administration Contact Employee Identification Code	Character	11	M_GLDW1	PROJECT_GRANT_TBL	R	A system assigned number to uniquely identify a person at U of M. Commonly referred to as UMID. This identifies the Division of Research Development and Administration (DRDA) representative associated with a project/grant.	25582542
DRDA_CNTCT_NAME	Division of Research Development and Administration Contact Name	Character	50	M_GLDW1	PROJECT_GRANT_TBL	R	The name of the Division of Research Development and Administration (DRDA) representative associated with a project/grant. Person name format is Last,First Middle.	Adamson, Sonya T; Holden, Peter

Physical Element Name	Logical Element Name	Format Type	Format Length	Data Set	Table Locations	Security Code	Element Definition	Examples of Valid Values
DRDA_NBR	Division of Research Development and Administration Number	Character	16	M_GLDW1	PROJECT_GRANT_TBL	R	A code that uniquely identifies a record in the Electronic Research Proposal Management (eRPM) system. The first two digits of the code identify the fiscal year in which the record was created. The digits are system generated and sequential representing the number of submissions in the fiscal year. This code is commonly referred to as the Division Of Research Development Administration (DRDA) number, the proposal number or the Proposal Approval Form (PAF) ID. Note:If the DRDA has an "-OR" at the end, the record is a snapshot of the PAF that was originally submitted to the sponsor. The OR stands for "Original" and these records should not be included when doing summary reports.	99-4563 03-00489; 08-PAF00555; 09-PAF00679-PRE; 08-PAF00555-OR
DW_DATA	Data Warehouse Data	Character	50	M_PYDW1	PYSTATUS	R	The names of the data warehouse objects that were loaded. These objects could be a data set, a group of tables or an individual table.	Payroll Tables; PAY_SUMMARY; PERSON_ALT_IDENT_HIST; HR_ACCTG_LINE; Historical Chartfield tables; Human Resource Tables
DW_OWNER	Data Warehouse Owner	Character	8	M_PYDW1	PYSTATUS	R	The owner (oracle schema) of the data warehouse objects that were loaded.	m_pydw1; m_gldw1; m_hrdw1
EARNINGS_AMT	Earnings Amount	Signed Number	13,2	M_PYDW1	PAY_ERN_DIST	R	A number representing the dollar amount distributed to an individual by the University for the appropriate pay period.	0.00; -1,036.67; 412.06
EARNINGS_PAYMENT_TYPE	Earnings Payment Type Code	Character	1	M_PYDW1	EARNINGS_TBL	R	A code used to indicate the type of earnings payment allowed.	A = Amounts Only; B = Both Hours and Amounts OK; E = Either Hours or Amounts OK

Physical Element Name	Logical Element Name	Format Type	Format Length	Data Set	Table Locations	Security Code	Element Definition	Examples of Valid Values
EARNINGS_SUMMARY_AMT	Earnings Summary Amount	Signed Number	15,2	M_PYDW1	PAY_SUMARY	R	A number representing the summary of the gross earnings amount charged to a Shortcode by Emplid, Fiscal Year, Accounting Period and Company.	0.00; -12,083.33; 7,892.00
EFFECT_ON_FLSA	Effect on Fair Labor Standards Act Code	Character	1	M_PYDW1	EARNINGS_TBL	R	A code indicating how Fair Labor Standards Act (FLSA) regulations impact the calculation of the overtime rate for an earnings code.	A = Amounts Only; B = Both Hours and Amounts; H = Hours only; N = None
EFFECT_ON_FLSA_DESCRSHORT	Effect on Fair Labor Standards Act Code Short Description	Character	10	M_PYDW1	EARNINGS_TBL	R	An abbreviated textual description of the code indicating how Fair Labor Standards Act (FLSA) regulations impact the calculation of the overtime rate for an earnings code.	Amts Only; Both; Hours Only None
EG_ACADEMIC_RANK	Education/ Government Academic Rank Code	Character	3	M_HRDW1	JOBCODE_TBL	R	A code currently used by Human Resource Records and Information Services (HRRIS) and Office of Budget and Planning (OBP), which groups certain JobCodes for governmental reporting purposes.	003 = Assistant Professor; 040 = Visiting Research Scientist; 050 = Graduate Student Instructor
EG_ACADEMIC_RANK_DESCR	Education/ Government Academic Rank Description	Character	30	M_HRDW1	JOBCODE_TBL	R	A textual description of the code currently used by Human Resource Records and Information Services (HRRIS) and Office of Budget and Planning (OBP), which groups certain JobCodes for governmental reporting purposes.	Assistant Professor; Visiting Research Scientist; Graduate Student Instructor
EG_RANK_IPEDS	Education/ Government Rank Integrated Post-Secondary Education Data System Code	Character	2	M_HRDW1	JOBCODE_TBL	R	A code used to group academic ranks for Integrated Post-Secondary Education Data System (IPEDS) federal reporting.	1 = Professor; 2 = Assoc Prf; 6 = GSI
EG_RANK_IPEDS_DESCR	Education/ Government Rank Integrated Post-Secondary Education Data System Description	Character	30	M_HRDW1	JOBCODE_TBL	R	A textual description of the code used to group academic ranks for Integrated Post-Secondary Education Data System (IPEDS) federal reporting.	Professor; Associate Professor; Graduate Student Instructor

Physical Element Name	Logical Element Name	Format Type	Format Length	Data Set	Table Locations	Security Code	Element Definition	Examples of Valid Values
EG_TRACK_FLAG	Education/ Government Tracking Flag	Character	1	M_HRDW1	JOBCODE_TBL	R	A code indicating whether a JobCode is considered to be on the tenure track.	Y = Yes; N = No
ELIG_FOR_RETROPAY	Eligible for Retro Pay Code	Character	1	M_PYDW1	EARNINGS_TBL	R	A code indicating whether the earnings code is eligible for retro pay.	Y = Yes; N = No
EMPL_RCD	Employee Record Number	Number	3	M_HRDW1	DEPT_BUDGET_ERN	R	A system assigned number, which along with employee identification number, effective date and effective sequence, identifies an employee's unique job(s).	0; 1; 2; 3
				M_PYDW1	EMPL_CONTRB_PAY_DED_DIST EMPL_CONTRB_PAY_TAX_DIST PAY_CHECK PAY_ERN_DIST PAY_ESTMT PY_COMMENTS UNIV_CONTRB_PAY_DED_DIST UNIV_CONTRB_PAY_TAX_DIST			
EMPL_TYPE	Employment Type Code	Character	1	M_PYDW1	PAY_CHECK	R	A code indicating what type of employee an individual is considered to be related to a specific job.	E = Excep Hrly; H = Hourly; N = Not Appl ; S = Salaried
EMPL_TYPE_DESCRSHORT	Employment Type Short Description	Character	10	M_PYDW1	PAY_CHECK	R	An abbreviated textual description of the code indicating what type of employee an individual is considered to be related to a specific job.	Excep Hrly; Hourly; Not Appl ; Salaried
EMPLID	Employee Identification Code	Character	11	M_HRDW1	DEPT_BUDGET_ERN PERS_ADMIN_DEPT	R	A system assigned number to uniquely identify a person at U of M. Commonly referred to as UMID.	25582542
				M_PYDW1	EMPL_CONTRB_PAY_DED_DIST EMPL_CONTRB_PAY_TAX_DIST PAY_CHECK PAY_ERN_DIST PAY_ESTMT PAY_SUMMARY PERSON_ALT_IDENT_HIST PY_COMMENTS UNIV_CONTRB_PAY_DED_DIST			
ERNCD	Earnings Code	Character	3	M_PYDW1	EARNINGS_TBL PAY_ERN_DIST PAY_ESTMT PY_COMMENTS	R	A code identifying the type of pay used to calculate a payroll amount.	REG = Regular ; SWP = SckWOPay; OTP = OTPrem; HOL = Holiday LTD = Disability; FEL = Fellowship

Physical Element Name	Logical Element Name	Format Type	Format Length	Data Set	Table Locations	Security Code	Element Definition	Examples of Valid Values
ERNCD_DESCR	Earnings Code Description	Character	30	M_PYDW1	EARNINGS_TBL PAY_ERN_DIST PAY_ESTMT	R	The textual description of the code identifying the type of pay used to calculate a payroll amount.	Regular ; Sick Without Pay; Overtime 1.5; Holiday; Long Term Disability; Fellowship
ERNCD_DESCRSHORT	Earnings Code Short Description	Character	10	M_PYDW1	EARNINGS_TBL	R	An abbreviated textual description of the code identifying the type of pay used to calculate a payroll amount.	Regular ; SckWOPay; OTPrem; Holiday; Disability; Fellowship
ERNCD_EFF_STATUS	Earnings Code Effective Status Code	Character	1	M_PYDW1	EARNINGS_TBL	R	A code specifying the current status of an earnings code.	A = Active; I = Inactive
ERNCD_EFFDT	Earnings Code Effective Date	Date		M_PYDW1	EARNINGS_TBL	R	The effective date of an earnings code.	01/01/1999
ESTMTD_PAY_AMT	Estimated Payroll Amount	Signed Number	13,2	M_PYDW1	PAY_ESTMT	R	The estimated gross pay and benefit cost for the employee for this job, earnings code, compensation rate and shortcode within a specific timeframe.	0.00; 1,036.67; 412.06
EXTRACT_DT	Extract Date	Date/Time		M_PYDW1	PYSTATUS	R	The date and time at which the data was extracted from the source system.	07/22/2001 7:06:17 PM
FIN_OPS_CNTCT_CD	Finance Operations Contact Code	Character	4	M_GLDW1	PROJECT_GRANT_TBL	R	A code that identifies the FinOps coordinator.	00; 37; 64
FIN_OPS_CNTCT_EMPLID	Financial Operations Contact Employee Identification Code	Character	11	M_GLDW1	PROJECT_GRANT_TBL	R	A system assigned number to uniquely identify a person at U of M. Commonly referred to as UMID. This identifies the FinOps Coordinator associated with a project/grant.	25582542
FIN_OPS_CNTCT_NAME	Financial Operations Contact Name	Character	50	M_GLDW1	PROJECT_GRANT_TBL	R	The name of the FinOps Coordinator associated with a project/grant. Person name format is Last,First Middle.	Adamson, Sonya T; Holden, Peter
FISCAL_QUARTER	Fiscal Quarter Code	Character	3	M_TLDW1	CALENDAR	R	A code representing the quarter, in relation to a fiscal year.	Q1 = 1st Qtr (July-Sept); Q2 = 2nd Qtr (Oct-Dec); Q3 = 3rd Qtr (Jan-Mar); Q4 = 4th Qtr (Apr-June)

Physical Element Name	Logical Element Name	Format Type	Format Length	Data Set	Table Locations	Security Code	Element Definition	Examples of Valid Values
FISCAL_QUARTER_DESCR	Fiscal Quarter Description	Character	30	M_TLDW1	CALENDAR	R	A textual description of the code representing the quarter, in relation to a fiscal year.	1st Qtr (July-Sept); 2nd Qtr (Oct-Dec); 3rd Qtr (Jan-Mar); 4th Qtr (Apr-June)
FISCAL_YEAR	Fiscal Year	Number	4	M_PYWD1	EMPL_CONTRB_PAY_DED_DIST EMPL_CONTRB_PAY_TAX_DIST HR_ACCTG_LINE PAY_ERN_DIST PAY_ESTMT PAY_SUMMARY UNIV_CONTRB_PAY_DED_DIST UNIV_CONTRB_PAY_TAX_DIST	R	The U of M fiscal year in the format CCYY. The U of M fiscal year runs from July through June. For example, July 1, 2000–June 30, 2001 is Fiscal Year 2001.	2002; 2003
				M_GLDW1	CAL_DETP_TBL			
				M_TLDW1	CALENDAR			
FLSA_CATEGORY	Fair Labor Standards Act Category Code	Character	1	M_PYDW1	EARNINGS_TBL	R	A code representing the Fair Labor Standards Act (FLSA) category which an earning code falls into.	O = Overtime; R = Regular; X = Excluded
FLSA_CATEGORY_DESCRSHORT	Fair Labor Standards Act Category Code Short Description	Character	10	M_PYDW1	EARNINGS_TBL	R	An abbreviated textual description of the code representing whether Fair Labor Standards Act (FLSA) category which an earning code falls into.	Overtime; Regular; Excluded
FLSA_STATUS	Fair Labor Standards Act Status Code	Character	1	M_HRDW1	JOBCODE_TBL	R	A code that defines groups of JobCodes according to the Fair Labor Standards Act (FLSA), used to administer overtime payments and to trigger some benefits.	A = Administr; N = Nonexempt; X = No FLSA
FLSA_STATUS_DESCRSHORT	Fair Labor Standards Act Status Short Description	Character	10	M_HRDW1	JOBCODE_TBL	R	An abbreviated textual description of the code that defines groups of JobCodes according to the Fair Labor Standards Act (FLSA), used to administer overtime payments and to trigger some benefits.	Administrative; Nonexempt; No FLSA Required
FORM_ID	Form Identification Code	Character	6	M_PYDW1	PAY_CHECK	R	A code that defines the type of payment form. Can be used to determine if a payment was direct deposited or a physical check.	UMADV = Um Payroll Advice Stock; UMCHK = Um Payroll Check Stock

Physical Element Name	Logical Element Name	Format Type	Format Length	Data Set	Table Locations	Security Code	Element Definition	Examples of Valid Values
FRINGEBENEFIT_SUMMARY_AMT	Fringe Benefit Summary Amount	Signed Number	15,2	M_PYDW1	PAY_SUMMARY	R	A number representing the summary of the fringe benefit contributions charged to a Shortcode by Emplid, Fiscal Year, Accounting Period and Company.	0.00; -191.25; 800.57
FTE	Full Time Equivalent	Number	7,6	M_PYDW1	PAY_ESTMT	R	The system calculated percent of effort derived from standard hours for an employee in a job.	0.00; 0.3875; 0.36325; 0.170008; 1.00
FUND_CODE	Fund Code	Character	5	M_PYDW1	EMPL_CONTRB_PAY_DED_DIST EMPL_CONTRB_PAY_TAX_DIST HR_ACCTG_LINE PAY_ERN_DIST PAY_ESTMT PAY_SUMMARY UNIV_CONTRB_PAY_DED_DIST UNIV_CONTRB_PAY_TAX_DIST	R	A code used to identify the source of funds and intended use of the funds.	10000 = General; 52000 = Auxiliary-Internal Services
				M_GLDW1	FUND_TBL			
				M_HRDW1	DEPT_BUDGET_ERN SHORTCODE			
FUND_DESCR	Fund Name	Character	30	M_GLDW1	FUND_TBL	R	A textual description of a code that identifies the source of funds and intended use of the funds.	General; Auxiliary-Internal Services
FUND_EFF_STATUS	Fund Effective Status Code	Character	1	M_GLDW1	FUND_TBL	R	A code specifying the current status of a fund.	A = Active; I = Inactive
FUND_EFFDT	Fund Effective Date	Date		M_GLDW1	FUND_TBL	R	The date on which the fund status becomes effective.	07/01/1998
FUND_GRP	Fund Group Code	Character	20	M_GLDW1	FUND_TBL	R	A code used to group funds for reporting purposes. Note: sourced from the UM FUND_GROUP tree.	AUXILIARY = Auxiliary; PLANT = Plant
FUND_GRP_DESCR	Fund Group Description	Character	30	M_GLDW1	FUND_TBL	R	A textual description of the code used to group funds for reporting purposes.	Auxiliary; Plant
FUNDING_DEPT_DESCR	Funding Department Description	Character	30	M_PYDW1	PAY_ESTMT	R	A textual description of the code indicating the department which is responsible for providing this particular funding for a specific job.	Physics Department; College of Lit, Science & Arts; UMH Administration
				M_HRDW1	DEPT_BUDGET_ERN			

Physical Element Name	Logical Element Name	Format Type	Format Length	Data Set	Table Locations	Security Code	Element Definition	Examples of Valid Values
FUNDING_DEPT_GRP	Funding Department Group Code	Character	20	M_PYDW1 M_HRDW1	PAY_ESTMT DEPT_BUDGET_ERN	R	A code indicating the department group of the employee's funding department. This code is used to group U of M schools, colleges, administrative areas, and vice presidential areas.	COLLEGE_OF_LS&A; MEDICAL_SCHOOL; UM_HOSPITAL
FUNDING_DEPT_GRP_CAMPUS	Funding Department Group Campus Code	Character	20	M_HRDW1	DEPT_BUDGET_ERN	R	A code indicating the campus of the employee's funding department.	UM_ANN-ARBOR; UM_DEARBORN; UM_FLINT
FUNDING_DEPT_GRP_CAMPUS_DESCR	Funding Department Group Campus Description	Character	30	M_HRDW1	DEPT_BUDGET_ERN	R	A textual description of the code indicating the campus of the employee's funding department.	Univ of Mich-Ann-Arbor; Univ of Mich-Dearborn; Univ of Mich-Flint
FUNDING_DEPT_GRP_DESCR	Funding Department Group Description	Character	30	M_HRDW1	DEPT_BUDGET_ERN	R	A textual description of the code indicating the department group of the employee's funding department. This code is used to group U of M schools, colleges, administrative areas, and vice presidential areas.	College of Lit, Science and Arts; Medical School; U of M Hospital
FUNDING_DEPT_GRP_VP_AREA	Funding Department Group Vice President Area Code	Character	20	M_HRDW1	DEPT_BUDGET_ERN	R	A code indicating the vice presidential area of the employee's funding department by President, Vice President, or Chancellor, based on direct reporting lines.	PRVST_EXC_VP_ACA_AFF; VP_STUDENT_AFFAIRS; EXC_VP_MED_AFF
FUNDING_DEPT_GRP_VP_AREA_DESCR	Funding Department Group Vice President Area Description	Character	30	M_HRDW1	DEPT_BUDGET_ERN	R	A textual description of the code indicating the vice presidential area of the employee's funding department by President, Vice President, or Chancellor, based on direct reporting lines.	Provost & Exec VP Academic Aff; VP for Student Affairs; Exec. VP for Medical Affairs

Physical Element Name	Logical Element Name	Format Type	Format Length	Data Set	Table Locations	Security Code	Element Definition	Examples of Valid Values
FUNDING_DEPTID	Funding Department Identification Code	Character	10	M_PYDW1	EMPL_CONTRB_PAY_DED_DIST EMPL_CONTRB_PAY_TAX_DIST HR_ACCTG_LINE PAY_ERN_DIST PAY_ESTMT PAY_SUMMARY UNIV_CONTRB_PAY_DED_DIST UNIV_CONTRB_PAY_TAX_DIST	R	A code indicating the department which is responsible for providing this particular funding for a specific job.	184500= Physics Department; 170000 = College of Lit, Science & Arts; 311679 = UMH Administration
				M_HRDW1	DEPT_BUDGET_ERN			
FUNDING_END_DT	Funding End Date	Date		M_HRDW1	DEPT_BUDGET_ERN	R	The date on which a department is no longer responsible for providing this particular funding for a specific job. September 9, 3999 represents that the funding for a specific job is open-ended.	11/17/2001
FUNDING_NEXT_HIGHER_DEPTID	Funding Department Next Higher Department Identification Code	Character	10	M_HRDW1	DEPT_BUDGET_ERN	R	A code representing the department on the department tree one level up from the employee's funding department. This data is based on the Department Security Tree.	172200 = LS&A Natural Science Department; 102500 = Off Provost & Exec VP Acad Aff
GL_DISTRIB_STATUS	General Ledger Distribution Status Code	Character	1	M_PYDW1	HR_ACCTG_LINE	R	A code used to indicate whether the line has been moved to the general ledger.	N = None; D = Distributed
HOLIDAY_DESCR	Holiday Code Description	Character	30	M_TLDW1	CALENDAR	R	A textual description of the date recognized as a holiday by U of M.	Memorial Day; Independence Day; Christmas
HOLIDAY_IND	Holiday Indicator	Character	1	M_TLDW1	CALENDAR	R	A code indicating whether a specific date is recognized as a holiday for university employees with the exception of International Union of Operating Engineers (IUOE) employees.	Y = Yes; N = No
HOURS1	Time and Labor Hours 1	Signed Number	9,5	M_PYDW1	PAY_ERN_DIST	R	The breakdown of hours worked by earn code, shortcode and pay period.	0.00000; -8.00000; 15.125
HR_ACCTG_LINE_DESCR	Human Resource Accounting Line Description	Character	30	M_PYDW1	HR_ACCTG_LINE	R	A textual description of the accounting line.	GROSS PAY ACTIVITY; UC FRINGE BENEFIT ACTIVITY

Physical Element Name	Logical Element Name	Format Type	Format Length	Data Set	Table Locations	Security Code	Element Definition	Examples of Valid Values
HR_FLG	Human Resources Print Flag Code	Character	1	M_PYDW1	EARNINGS_TBL PAY_ERN_DIST	R	A code indicating whether the earnings code will print on the Human Resource Notice of Appointment (NOA).	Y = Yes; N = No
HRMS_RPT_RECIPIENT_ADDRESS1	Human Resource Management System Report Recipient Address 1	Character	35	M_HRDW1	HRMS_RPT_RECIPIENT	R	The first of three address lines which contain the work address of the person receiving Human Resource Management Systems (HRMS) reports for a department.	C/O Hospital Financial Service; MATHEMATICS
HRMS_RPT_RECIPIENT_ADDRESS2	Human Resource Management System Report Recipient Address 2	Character	35	M_HRDW1	HRMS_RPT_RECIPIENT	R	The second of three address lines which contain the work address of the person receiving Human Resource Management Systems (HRMS) reports for a department.	300Nib Ni7E18; 4858 EAST HALL
HRMS_RPT_RECIPIENT_ADDRESS3	Human Resource Management System Report Recipient Address 3	Character	35	M_HRDW1	HRMS_RPT_RECIPIENT	R	The third of three address lines which contain the work address of the person receiving Human Resource Management Systems (HRMS) reports for a department. This will be blank for addresses delivered to by Campus Mail.	3621 State Street
HRMS_RPT_RECIPIENT_COUNTRY	Human Resource Management System Report Recipient Country Code	Character	3	M_HRDW1	HRMS_RPT_RECIPIENT	R	A code representing the country associated with the work address of the person receiving Human Resource Management Systems (HRMS) reports for a department.	USA = United States
HRMS_RPT_RECIPIENT_CAMPUS_ID	Human Resource Management System Report Recipient Campus Identification Code	Character	16	M_HRDW1	HRMS_RPT_RECIPIENT	R	The U of M Uniqname assigned to a person receiving Human Resource Management Systems (HRMS) reports for a department.. Automatically populated.	jsmith; anndoe

Physical Element Name	Logical Element Name	Format Type	Format Length	Data Set	Table Locations	Security Code	Element Definition	Examples of Valid Values
HRMS_RPT_RECIPIENT_CITY	Human Resource Management System Report Recipient City	Character	30	M_HRDW1	HRMS_RPT_RECIPIENT	R	The name of the city associated with the work address of the person receiving Human Resource Management Systems (HRMS) reports for a department. This will be blank for addresses delivered to by Campus Mail.	Ann Arbor
HRMS_RPT_RECIPIENT_EFFDT	Human Resource Management System Report Recipient Effective Date	Date		M_HRDW1	HRMS_RPT_RECIPIENT	R	The date the person in a department is to begin receiving Human Resource Management Systems (HRMS) reports for a department.	08/11/2001
HRMS_RPT_RECIPIENT_EMPLID	Human Resource Management System Report Recipient Employee Identification Code	Character	11	M_HRDW1	HRMS_RPT_RECIPIENT	R	A system assigned number used to uniquely identify a person receiving Human Resource Management Systems (HRMS) reports for a department.	25582542
HRMS_RPT_RECIPIENT_NAME	Human Resource Management System Report Recipient Name	Character	50	M_HRDW1	HRMS_RPT_RECIPIENT	R	The name of the person receiving Human Resource Management Systems (HRMS) reports for a department. This is a person's preferred name, if available; otherwise, this is a person's primary name. Person name format is Last, First Middle.	Winkeler, John
HRMS_RPT_RECIPIENT_PHONE	Human Resource Management System Report Recipient Phone	Character	24	M_HRDW1	HRMS_RPT_RECIPIENT	R	The work phone number of the person receiving Human Resource Management Systems (HRMS) reports for a department.	7348721379
HRMS_RPT_RECIPIENT_POSTAL	Human Resource Management System Report Recipient Postal Code	Character	12	M_HRDW1	HRMS_RPT_RECIPIENT	R	The campus zip of the person receiving Human Resource Management Systems (HRMS) reports for a department.	0428; 1109

Physical Element Name	Logical Element Name	Format Type	Format Length	Data Set	Table Locations	Security Code	Element Definition	Examples of Valid Values
HRMS_RPT_RECIPIENT_STATE	Human Resource Management System Report Recipient State Code	Character	6	M_HRDW1	HRMS_RPT_RECIPIENT	R	A code representing the state associated with the work address of the person receiving Human Resource Management Systems (HRMS) reports for a department. This will be blank for addresses delivered to by Campus Mail.	MI = Michigan
HRMS_RPT_TYPE	Human Resources Management System Report Type Code	Character	1	M_HRDW1	HRMS_RPT_RECIPIENT	R	A code indicating the type of Human Resources Management Systems (HRMS) report.	G = Gross Pay; P = Personnel; T = Time Rpt
HRMS_RPT_TYPE_DESCRSHORT	Human Resources Management System Report Type Short Description	Character	10	M_HRDW1	HRMS_RPT_RECIPIENT	R	An abbreviated description of the code indicating the type of Human Resources Management Systems (HRMS) report.	Gross Pay Register; Personnel; Time Report
HRS_ONLY	Hours Only Code	Character	1	M_PYDW1	EARNINGS_TBL	R	A code indicating whether the earnings code will only pay for hours reported. A value of "Y" indicates that the Earnings Code "Reduces from REG", meaning that it subtracts equivalent REG hours thus keeping the gross amount the same.	Y = Yes; N = No
IC_BASIS	Indirect Cost Basis Code	Character	4	M_GLDW1	PROJECT_GRANT_TBL	R	A code that identifies groups of accounts eligible for indirect cost recovery.	0; 25; 50
IC_RATE_PCT	Indirect Cost Rate Percent	Number	4,2	M_GLDW1	PROJECT_GRANT_TBL	R	The rate at which indirect cost is charged.	0.00; 30.00; 52.50
INCOME_CD_1042	Income Code for 1042-S	Character	2	M_PYDW1	EARNINGS_TBL	R	A code that identifies the income category for 1042 tax reporting.	15 = Scholarship/Fellowship Grants; 18 = Teaching; 19 = Studying and Training
INITIAL_DEPTID	Initial Department Code	Character	10	M_GLDW1	PROJECT_GRANT_TBL	R	A code that identifies each initial academic or administrative unit that has programmatic, operational and fiscal (including budgetary) responsibility for the project/grant.	184500 = Physics Department; 170000 = College of Lit, Science & Arts
INITIAL_FUND_CODE	Initial Fund Code	Character	5	M_GLDW1	PROJECT_GRANT_TBL	R	A code used to identify the initial source of funds and intended use of the funds for the project/grant.	10000 = General; 52000 = Auxiliary-Internal Services

Physical Element Name	Logical Element Name	Format Type	Format Length	Data Set	Table Locations	Security Code	Element Definition	Examples of Valid Values
IPEDSSCODE	Integrated Post-Secondary Education Data System Code	Character	1	M_HRDW1	JOBCODE_TBL	R	A code currently used by Human Resource Records and Information Services (HRRIS) and Office of Budget and Planning (OBP), to group all JobCodes for educational governmental reporting.	1 = Ex/Ad/Man; 2 = Fac(I/R/P); N = No IPEDS
IPEDSSCODE_DESCR	Integrated Post-Secondary Education Data System Description	Character	30	M_HRDW1	JOBCODE_TBL	R	A textual description of the code currently used by Human Resource Records and Information Services (HRRIS) and Office of Budget and Planning (OBP) to group all JobCodes for educational governmental reporting.	Executive/Admin/Managerial; Faculty(Instrctn/Rsrch/PubSvc); No IPEDS-S Reporting
ISR_REPORT_GRP	Institute of Social Research Report Group Code	Character	20	M_GLDW1	PROJECT_GRANT_TBL	R	A code used to group Institute of Social Research project grants for reporting purposes.	1000 = Direct Cost of Research; 3100 = Center Administration; 5200 = Central Service
ISR_REPORT_GRP_DESCR	Institute of Social Research Report Group Description	Character	30	M_GLDW1	PROJECT_GRANT_TBL	R	A textual description of the code used to group Institute of Social Research project grants for reporting purposes.	Direct Cost of Research; Center Administration; Central Service
ISR_REPORT_SUBGRP	Institute of Social Research Report Sub Group Code	Character	20	M_GLDW1	PROJECT_GRANT_TBL	R	A code used to further group Institute of Social Research project grants within a report group.	1020 = Center Sundries; 3120 = Leadership Funds; 5230 = Human Resources
ISR_REPROT_SUBGRP_DESCR	Institute of Social Research Report Sub Group Description	Character	30	M_GLDW1	PROJECT_GRANT_TBL	R	A textual description of the code used further group Institute of Social Research project grants within a report group.	Center Sundries; Leadership Funds; Human Resources
IUOE_HOLIDAY_IND	International Union of Operating Engineers Holiday Indicator	Character	1	M_TLDW1	CALENDAR	R	A code indicating whether a specific date is recognized as a holiday for university International Union of Operating Engineers (IUOE) employees.	Y = Yes; N = No
JOB_FAMILY	Job Family Code	Character	6	M_HRDW1	JOBCODE_TBL	R	A code that groups JobCodes with similar classification and compensation structures, benefits plans, and applicable Standard Practice Guide sections.	10 = Regular Instructional; 210 = Information Technology; 260 = Patient Care Services

Physical Element Name	Logical Element Name	Format Type	Format Length	Data Set	Table Locations	Security Code	Element Definition	Examples of Valid Values
JOB_FAMILY_DESCR	Job Family Description	Character	30	M_HRDW1	JOBCODE_TBL	R	A textual description of the code that groups JobCodes with similar classification and compensation structures, benefits plans, and applicable Standard Practice Guide sections.	Regular Instructional; Information Technology; Patient Care Services
JOBCODE	JobCode	Character	6	M_PYDW1	EMPL_CONTRB_PAY_DED_DIST EMPL_CONTRB_PAY_TAX_DIST PAY_ERN_DIST PAY_ESTMT UNIV_CONTRB_PAY_DED_DIST UNIV_CONTRB_PAY_TAX_DIST	R	A code indicating a job classification title established by the Office of Human Resource and Affirmative Action.	100800 = Chancellor; 201000 = Professor; 101324 = Accountant Assoc
JOBCODE_DESCR	JobCode Description	Character	30	M_HRDW1	JOBCODE_TBL	R	A textual description of the code indicating a job classification title established by the Office of Human Resource and Affirmative Action.	Chancellor; Professor; Accountant Assoc
JOBCODE_EFF_STATUS	JobCode Effective Status Code	Character	1	M_HRDW1	JOBCODE_TBL	R	A code identifying the current status of a JobCode.	A = Active; I = Inactive
JOBCODE_EFFDT	JobCode Effective Date	Date		M_HRDW1	JOBCODE_TBL	R	The date when the JobCode status becomes effective.	03/12/2001
JOBCODE_END_DATE	JobCode End Date	Date		M_HRDW1	JOBCODE_TBL	R	A date used in conjunction with JOBCODE_EFFDT to determine the period of time which a specific set of JobCode related data was effective.	04/13/2001
JOBCODE_MGT_COMM_CD	JobCode Management Communication Code	Character	1	M_HRDW1	JOBCODE_TBL	R	A code associated with a JobCode that is used to create mailing labels directed at administrative/supervisory level staff.	A = Supervisors; B = Managers/Non Academic; C = Administrators/Non Academic
JOBCODE_MGT_COMM_DESCR	JobCode Management Communication Description	Character	30	M_HRDW1	JOBCODE_TBL	R	A textual description of the code associated with a JobCode that is used to create mailing labels directed at administrative/supervisory level staff.	Supervisors; Managers/Non Academic; Administrators/Non Academic

Physical Element Name	Logical Element Name	Format Type	Format Length	Data Set	Table Locations	Security Code	Element Definition	Examples of Valid Values
JOBCODE_PAYGROUP	JobCode Pay Group Code	Character	3	M_HRDW1	JOBCODE_TBL	R	A code indicating a set of Jobcodes grouped together for payroll processing.	BWC = Reg Bwlky; MGS = Grad Stdnt; MPP = Mo P Paid
JOBCODE_PAYGROUP_DESCR	JobCode Pay Group Description	Character	30	M_HRDW1	JOBCODE_TBL	R	A textual description of the code indicating a set of Jobcodes grouped together for payroll processing.	Regular Bi-Weekly; Grad Student; Mthly Pre Pd-Hosp & Spon 12 Mo
JOBCODE_STATUS_IND	JobCode Status Indicator Code	Character	1	M_HRDW1	JOBCODE_TBL	R	A code indicating whether a JobCode is current or historical as of the JobCode effective date for the record.	C = Current; F = Future; H = Historical
JOBGROUP	Job Group Code	Character	3	M_HRDW1	JOBCODE_TBL	R	A code that groups JobCodes according to a system negotiated between the University and the Office of Federal Contract Compliance Programs.	000 = Temporary; 525 = Lab Professionals; 964 = Cooks & Bakers
JOBGROUP_DESCR	Job Group Description	Character	30	M_HRDW1	JOBCODE_TBL	R	A textual description of the code that groups JobCodes according to a system negotiated between the University and the Office of Federal Contract Compliance Programs.	Temporary; Lab Professionals; Cooks & Bakers
JOURNAL_DATE	Journal Date	Date		M_PYDW1	HR_ACCTG_LINE	R	The date of the journal transaction. This will be equivalent to the paycheck date.	07/12/2000
JOURNAL_ID	Journal Identification	Character	10	M_PYDW1	HR_ACCTG_LINE	R	An alphanumeric number identifying a journal transaction.	PYM0378798; PYM0378799; PYB0519179
JOURNAL_LINE	Journal Line	Number	9	M_PYDW1	HR_ACCTG_LINE	R	The line number of the detail journal line.	3; 11; 20; 1010
LINE_NBR	Line Number	Number	5	M_PYDW1	HR_ACCTG_LINE	R	A sequential number uniquely identifying each line.	1; 2; 3
LINE_NUM	Line Number	Number	2	M_PYDW1	EMPL_CONTRB_PAY_DED_DIST EMPL_CONTRB_PAY_TAX_DIST PAY_CHECK PAY_ERN_DIST UNIV_CONTRB_PAY_DED_DIST UNIV_CONTRB_PAY_TAX_DIST	R	A sequential number uniquely identifying each line. This line on a page in a paysheet defines the transaction for a single employee.	1; 2; 3

Physical Element Name	Logical Element Name	Format Type	Format Length	Data Set	Table Locations	Security Code	Element Definition	Examples of Valid Values
LOAD_DT	Load Date	Date/Time		M_PYDW1	PYSTATUS	R	The date and time at which the data was loaded into the data warehouse. This data may have been loaded into a single table, a group of tables or an entire data set, as designated by the information provided in the field DW_DATA.	08/04/2001 11:40:13 AM
LOC_FUNDED	Letter Of Credit Funded/Reported Code	Character	1	M_GLDW1	PROJECT_GRANT_TBL	R	A code that identifies whether project/grants with a Letter of Credit (LOC) payment type are currently being funded by the LOC allocation process.	Y = Yes; N = No
LOCALITY	Locality Code	Character	10	M_PYDW1	EMPL_CONTRB_PAY_TAX_DIST	R	A code that identifies the local tax entity.	22000; 29000; 41420
MAIL_DROP	Mail Drop Identification	Character	50	M_PYDW1	PAY_CHECK	R	A code used to identify the distribution point for an individual's payroll check or deposit.	0001 = Payroll Office Default; 0020 = LS&A Cashiers Office; 0026 = Campus Payroll Office
MAIL_DROP_DESCR	Mail Drop Description	Character	30	M_PYDW1	PAY_CHECK	R	A textual description of the code used to identify the distribution point for an individual's payroll check or deposit.	Payroll Office Default; LS&A Cashiers Office; Campus Payroll Office
MANAGER_NAME	Manager Name	Character	50	M_HRDW1	HE_DEPT_TBL	R	The name of the person in a department who receives financial reports, such as Statement of Activity. This is a person's preferred name, if available; otherwise, this is a person's primary name. Person name format is Last,First Middle.	Schmoe,Joseph Doe,Mary L
MAX_RT_ANNUAL	Maximum Annual Pay Rate	Number	14,2	M_HRDW1	JOBCODE_TBL	R	A number representing the University defined maximum annual salary for a JobCode. Ungraded JobCode will be null.	0.00; 42,473.60; 160,000.00
MAX_RT_HOURLY	Maximum Hourly Pay Rate	Number	14,2	M_HRDW1	JOBCODE_TBL	R	A number representing the University defined maximum hourly salary for a JobCode. Ungraded JobCode will be null.	0.00; 20.42; 76.92

Physical Element Name	Logical Element Name	Format Type	Format Length	Data Set	Table Locations	Security Code	Element Definition	Examples of Valid Values
MAX_RT_MONTHLY	Maximum Monthly Pay Rate	Number	14,2	M_HRDW1	JOBCODE_TBL	R	A number representing the University defined maximum monthly salary for a JobCode. Ungraded JobCode will be null.	0.00; 3,539.40; 13,333.33
MID_RT_ANNUAL	Midpoint of Annual Pay Rate	Number	14,2	M_HRDW1	JOBCODE_TBL	R	A number representing the midpoint of the University defined annual salary for a JobCode. Ungraded JobCode will be null.	0.00; 24,526.00; 117,056.00
MID_RT_HOURLY	Midpoint of Hourly Pay Rate	Number	14,2	M_HRDW1	JOBCODE_TBL	R	A number representing the midpoint of the University defined hourly salary for a JobCode. Ungraded JobCode will be null.	0.00; 11.79; 56.28
MID_RT_MONTHLY	Midpoint of Monthly Pay Rate	Number	14,2	M_HRDW1	JOBCODE_TBL	R	A number representing the midpoint of the University defined monthly salary for a JobCode. Ungraded JobCode will be null.	0.00; 2,043.80; 9,754.67
MIN_RT_ANNUAL	Minimum Annual Pay Rate	Number	14,2	M_HRDW1	JOBCODE_TBL	R	A number representing the University defined minimum annual salary for a JobCode. Ungraded JobCode will be null.	0.00; 10,712.00; 87,792.00
MIN_RT_HOURLY	Minimum Hourly Pay Rate	Number	14,2	M_HRDW1	JOBCODE_TBL	R	A number representing the University defined minimum hourly salary for a JobCode. Ungraded JobCode will be null.	0.00; 5.15; 42.21
MIN_RT_MONTHLY	Minimum Monthly Pay Rate	Number	14,2	M_HRDW1	JOBCODE_TBL	R	A number representing the University defined minimum monthly salary for a JobCode. Ungraded JobCode will be null.	0.00; 892.60; 7,316.00
MINORITY_SUB	Minority Subcontract Code	Character	1	M_GLDW1	PROJECT_GRANT_TBL	R	A code that identifies whether a sponsored project/grant is a minority sub contract.	Y = Yes; N = No
MONETARY_AMOUNT	Monetary Amount	Signed Number	15,2	M_PYDW1	HR_ACCTG_LINE	R	A number representing the dollar amount associated with a specific set of chartfields for a transaction.	750.00; 995.00; 1,432.57
MONTH_DAYS_COUNT	Month Days Count	Number	2	M_TLDW1	CALENDAR	R	The number of days in a month.	29; 30; 31
MONTH_WORK_DAYS_COUNT	Month Work Days Count	Number	2	M_TLDW1	CALENDAR	R	The number of work days in a month.	23; 21

Physical Element Name	Logical Element Name	Format Type	Format Length	Data Set	Table Locations	Security Code	Element Definition	Examples of Valid Values
MULTIPLICATION_FACTOR	Multiplication Factor	Signed Number	9,4	M_PYDW1	EARNINGS_TBL	R	A number used to adjust the hourly pay rate as appropriate. For a specific earnings code, the multiplication factor times the hours reported times the hourly pay rate equals the earnings amount.	0.5000; 1.0000; 1.5000; -0.5000; -1.0000
NATIONAL_ID	National Identification Code	Character	9	M_PYDW1	PERSON_ALT_IDENT_HIST	S	The Social Security Number (SSN) or temporary payroll number associated with an employee that took effect after the previous one was updated or changed.	123456789
NET_PAY	Net Pay	Signed Number	10,2	M_PYDW1	PAY_CHECK	R	The dollar amount of gross pay amount less any employee contributions to deductions and taxes. Note: This field will contain NULL for data prior to March 11, 2004.	1,522.14; 1,082.53; 840.14; -914.62
OFF_CYCLE	Off Cycle Code	Character	1	M_PYDW1	EMPL_CONTRB_PAY_DED_DIST EMPL_CONTRB_PAY_TAX_DIST PAY_CHECK PAY_ERN_DIST UNIV_CONTRB_PAY_DED_DIST UNIV_CONTRB_PAY_TAX_DIST	R	A code indicating whether the process of calculating and creating a paycheck for one or more employees outside the normally-scheduled (on-cycle) payroll run for their pay group. Off-Cycle processing includes reversals, reversal/adjustments, salary transfers, online checks and manual checks.	Y = Yes; N = No
ORIG_TRANS_DT	Original Transaction Date	Date		M_PYDW1	PAY_ERN_DIST	R	The original check date.	09/22/2000
PAGE_NUM	Page Number	Number	4	M_PYDW1	EMPL_CONTRB_PAY_DED_DIST EMPL_CONTRB_PAY_TAX_DIST PAY_CHECK PAY_ERN_DIST UNIV_CONTRB_PAY_DED_DIST UNIV_CONTRB_PAY_TAX_DIST	R	A sequential number uniquely identifying each page. This is the page in a paysheet and will include the transactions for multiple employees.	1; 2; 3
PARENT_PROJ_GRANT	Parent Project/Grant	Character	15	M_GLDW1	PROJECT_GRANT_TBL	R	The project/grant number of the parent project/grant.	C023493 = Fast neutron cross section; C029988 = Neurotransmitters and calmodul

Physical Element Name	Logical Element Name	Format Type	Format Length	Data Set	Table Locations	Security Code	Element Definition	Examples of Valid Values
PAY_BEGIN_DT	Pay Period Begin Date	Date		M_PYDW1	PAY_CHECK PY_COMMENTS	R	The start date of the pay period.	03/01/2001
PAY_END_DT	Pay Period End Date	Date		M_PYDW1	EMPL_CONTRB_PAY_DED_DIST EMPL_CONTRB_PAY_TAX_DIST PAY_CHECK PAY_ERN_DIST PY_COMMENTS UNIV_CONTRB_PAY_DED_DIST UNIV_CONTRB_PAY_TAX_DIST	R	The end date of the pay period.	03/31/2001
PAY_ESTMT_HR_DATA_EFFDT	Payroll Estimates Human Resource Data Effective Date	Date		M_PYDW1	PAY_ESTMT	R	The date on which the combination of data used in estimating gross pay and benefit cost becomes effective. The data comes from the Job, Department Budget Earnings and/or Additional Pay Data tables.	09/22/2001; 04/15/2004
PAY_ESTMT_HR_DATA_END_DATE	Payroll Estimates Human Resource Data End Date	Date		M_PYDW1	PAY_ESTMT	R	The last date on which the data used in estimating gross pay and benefit cost was in effect within this accounting period.	06/10/2001; 05/23/2004
PAY_ESTMT_HR_DATA_START_DATE	Payroll Estimates Human Resource Data Start Date	Date		M_PYDW1	PAY_ESTMT	R	The date on which the data used in estimating gross pay and benefit cost became effective within this accounting period.	06/26/2001 06/19/2004
PAY_FREQUENCY	Pay Frequency Code	Character	1	M_PYDW1	PAY_CHECK	R	A code representing how often employees in a pay group are paid.	B = Biweekly; M = Monthly; W = Weekly
PAY_FREQUENCY_DESCRSHORT	Pay Frequency Short Description	Character	10	M_PYDW1	PAY_CHECK	R	An abbreviated textual description of the code representing how often employees in a pay group are paid.	Biweekly; Monthly; Weekly
PAY_OFF_CYCLE_CAL	Off Cycle Calendar Code	Character	1	M_PYDW1	PAY_CHECK	R	A code indicating whether the pay date is Off Cycle or not.	Y = Yes; N = No
PAY_PERIOD	Pay Period Code	Character	1	M_PYDW1	PAY_CHECK	R	A code representing the established time segments for which employees in a pay group are paid. Pay Periods are defined by their begin and end dates.	1; 2; 3

Physical Element Name	Logical Element Name	Format Type	Format Length	Data Set	Table Locations	Security Code	Element Definition	Examples of Valid Values
PAYCHECK_NBR	Paycheck Number	Number	15	M_PYDW1	PAY_CHECK	R	A number used to identify a paycheck.	1371; 1372; 1373
PAYCHECK_OPTION	Paycheck Option Code	Character	1	M_PYDW1	PAY_CHECK	R	A code representing the method of payment to an individual; or the type of transaction being processed. This field would represent whether an individual was paid via direct deposit or by check. This field is also used if a check or advice is reversed.	& = Check and Advice; A = Advice; C = Check
PAYCHECK_OPTION_DESCR	Paycheck Option Code Description	Character	30	M_PYDW1	PAY_CHECK	R	A textual description of the code representing the method of payment to an individual; or the type of transaction being processed. This field would represent whether an individual was paid via direct deposit or by check. This field is also used if a check or advice is reversed.	Check and Advice; Advice; Check
PAYCHECK_STATUS	Paycheck Status Code	Character	1	M_PYDW1	PAY_CHECK	R	A code indicating the pay check status.	F = Confirmed; V = Reversal
PAYCHECK_STATUS_DESCRSHORT	Paycheck Status Short Description	Character	10	M_PYDW1	PAY_CHECK	R	An abbreviated textual description of the code indicating the paycheck status.	Confirmed; Reversal
PAYGROUP	Pay Group Code	Character	3	M_PYDW1	EMPL_CONTRB_PAY_DED_DIST EMPL_CONTRB_PAY_TAX_DIST PAY_CHECK PAY_ERN_DIST UNIV_CONTRB_PAY_DED_DIST UNIV_CONTRB_PAY_TAX_DIST	R	A code indicating a set of employees grouped together for payroll processing.	BWC = Reg Bwlky; MGS = Grad Stdnt; MPP = Mo P Paid
PAYGROUP_DESCRSHORT	Pay Group Short Description	Character	10	M_PYDW1	EMPL_CONTRB_PAY_DED_DIST EMPL_CONTRB_PAY_TAX_DIST PAY_CHECK PAY_ERN_DIST UNIV_CONTRB_PAY_DED_DIST UNIV_CONTRB_PAY_TAX_DIST	R	An abbreviated textual description of the code indicating a set of employees grouped together for payroll processing.	Reg Bwlky; Grad Stdnt; Mo P Paid

Physical Element Name	Logical Element Name	Format Type	Format Length	Data Set	Table Locations	Security Code	Element Definition	Examples of Valid Values
PAYMENT_TYPE	Payment Type Code	Character	2	M_GLDW1	PROJECT_GRANT_TBL	R	A code used to indicate the funding arrangement with the sponsor.	AD = Advnce Pay; CR = Cost Reimb; FP = Fix Price; LC = LOC; PS = Pay Sched
PERCENT_EFFORT	Percent Effort	Number	5,2	M_HRDW1	DEPT_BUDGET_ERN PAY_ESTMT	R	The employee's percent effort associated with each shortcode related to a job. Used for effort certification and not required to be provided unless needed for that purpose.	0.25; 3.50; 77.50; 100.00
PERUNIT_OVR_RT	Unit Override Rate	Number	18,6	M_PYDW1	EARNINGS_TBL	R	A number representing the override rate of pay.	0.000000; 2.000000; 5.000000
PLAN_TYPE	Plan Type Code	Character	2	M_PYDW1	EMPL_CONTRB_PAY_DED_ DIST PAY_ESTMT UNIV_CONTRB_PAY_DED_DIST	R	A code representing a category of benefits/deductions.	00 = General; 10 = Medical; 11 = Dental
PLAN_TYPE_DESCRSHORT	Plan Type Short Description	Character	10	M_PYDW1	EMPL_CONTRB_PAY_DED_ DIST UNIV_CONTRB_PAY_DED_DIST	R	An abbreviated textual description of the code representing a category of benefits/deductions.	General; Medical; Dental
POSTING_PTO	Posting Paid Time Off Code	Character	1	M_HRDW1	HE_DEPT_TBL	R	A code indicating that a message will be printed on the job posting stating this position has paid time off benefits rather than sick and vacation benefits.	Y = Yes; N = No
PREV_NATL_ID	Previous National Identification Code	Character	9	M_PYDW1	PERSON_ALT_IDENT_HIST	S	The Social Security Number (SSN) or temporary payroll number associated with an employee prior to a change or update.	123456789
PRIMARY_CIP	Primary Classification Of Instructional Programs Code	Character	13	M_HRDW1	HE_DEPT_TBL	R	A code representing the primary classification used in governmental reporting of the specific academic field associated with a department.	45.1101 = Sociology; 31.0505 = Kinesiology and Exercise Scien; 25.0101 = Library Science/Librarianship
PRIMARY_CIP_DESCR	Primary Classification Of Instructional Programs Description	Character	30	M_HRDW1	HE_DEPT_TBL	R	A textual description of the code representing the primary classification used in governmental reporting of the specific academic field associated with a department.	Sociology; Kinesiology and Exercise Scien; Library Science/Librarianship

Physical Element Name	Logical Element Name	Format Type	Format Length	Data Set	Table Locations	Security Code	Element Definition	Examples of Valid Values
PRIMARY_NAME	Name	Character	50	M_PYDW1	PAY_CHECK PAY_ERN_DIST PAY_ESTMT PAY_SUMMARY	R	The name by which a person is known. This is a person's primary name which is generally used for legal purposes. Person name format is Last, First Middle	de la Garza, Barbara Marie; Smith Jr, Joseph L; Washington, William Boyd
PROGRAM_CODE	Program Code	Character	5	M_PYDW1	EMPL_CONTRB_PAY_DED_DIST EMPL_CONTRB_PAY_TAX_DIST HR_ACCTG_LINE PAY_ERN_DIST PAY_ESTMT PAY_SUMMARY UNIV_CONTRB_PAY_DED_DIST UNIV_CONTRB_PAY_TAX_DIST	R	A code identifying a group of related activities, cost centers, revenue centers, responsibility centers and academic programs. These activities may occur within a single department or across multiple departments	ADMIS = Admissions; RERET = Recruitment & Retention
				M_GLDW1	PROGRAM_TBL PROJECT_GRANT_TBL			
				M_HRDW1	DEPT_BUDGET_ERN SHORTCODE			
PROGRAM_DESCR	Program Name	Character	30	M_GLDW1	PROGRAM_TBL	R	The name identifying a group of related activities, cost centers, revenue centers, responsibility centers and academic programs.	Admissions; Recruitment & Retention
PROGRAM_EFF_STATUS	Program Effective Status Code	Character	1	M_GLDW1	PROGRAM_TBL	R	A code specifying the current status of a program.	A = Active; I = Inactive
PROGRAM_EFFDT	Program Effective Date	Date		M_GLDW1	PROGRAM_TBL	R	The date on which the program status becomes effective.	01/01/1998
PROJ_GRANT_STATUS	Project/Grant Status Code	Character	1	M_GLDW1	PROJECT_GRANT_TBL	R	A code specifying the current status of a project/grant.	A = Approved; H = Hardship; K = Capital
PROJ_GRT_BILLED_BY	Project/Grant Billed By Code	Character	1	M_GLDW1	PROJECT_GRANT_TBL	R	A code representing the billing method if the project/grant is designated as the primary project/grant used in correspondence with the sponsor.	B = AR Interface; E = AR Manual Billing; D = PI Department
PROJ_GRT_BUD_PERIOD_START_DT	Project/Grant Budget Period Start Date	Date		M_GLDW1	PROJECT_GRANT_TBL	R	The date on which the project/grant budgeting period begins. The start date is in the format MM/DD/YYYY.	04/30/2002

Physical Element Name	Logical Element Name	Format Type	Format Length	Data Set	Table Locations	Security Code	Element Definition	Examples of Valid Values
PROJ_GRT_BUD_PERIOD_END_DT	Project/Grant Budget Period End Date	Date		M_GLDW1	PROJECT_GRANT_TBL	R	The date on which the project/grant budgeting period ends. The end date is in the format MM/DD/YYYY.	04/30/2002
PROJ_GRT_DIR_CNTCT_EMPLID	Project/Grant Director Contact Employee Identification Code	Character	11	M_GLDW1	PROJECT_GRANT_TBL	R	A system assigned number used to uniquely identify a person at U of M. Commonly referred to as UMID. This identifies the project director associated with a project/grant.	25582542
PROJ_GRT_DIR_CNTCT_NAME	Project/Grant Director Contact Name	Character	50	M_GLDW1	PROJECT_GRANT_TBL	R	The name of the project director associated with a project/grant. Person name format is Last,First Middle.	Adamson, Sonya T; Holden, Peter
PROJECT_GRANT	Project/Grant Code	Character	15	M_PYDW1	EMPL_CONTRB_PAY_DED_DIST EMPL_CONTRB_PAY_TAX_DIST HR_ACCTG_LINE PAY_ERN_DIST PAY_ESTMT PAY_SUMMARY UNIV_CONTRB_PAY_DED_DIST UNIV_CONTRB_PAY_TAX_DIST	R	A code used to accumulate financial information on a set of activities over a limited time span. Used for contracts and grants, construction projects and unit-defined projects.	C026993; F000101
				M_GLDW1	PROJECT_GRANT_TBL			
				M_HRDW1	DEPT_BUDGET_ERN SHORTCODE			
PROJECT_GRANT_EFF_STATUS	Project/Grant Effective Status Code	Character	1	M_GLDW1	PROJECT_GRANT_TBL	R	A code identifying the current status of a project/grant.	A = Active; I = Inactive
PROJECT_GRANT_EFFDT	Project/Grant Effective Date	Date		M_GLDW1	PROJECT_GRANT_TBL	R	The date when the project/grant status becomes effective.	01/01/1998
PROJECT_GRANT_END_DT	Project/Grant End Date	Date		M_GLDW1	PROJECT_GRANT_TBL	R	The date on which the project/grant ends.	01/01/1999
PROJECT_GRANT_START_DT	Project/Grant Start Date	Date		M_GLDW1	PROJECT_GRANT_TBL	R	The date on which the project/grant starts.	01/01/1998
PROJECT_GRANT_TITLE	Project/Grant Title	Character	75	M_GLDW1	PROJECT_GRANT_TBL	R	The title for a project/grant.	Studies Of Human Mutation Rates; Core B - Clarke
PROJECT_GRANT_TYPE	Project/Grant Type Code	Character	2	M_GLDW1	PROJECT_GRANT_TBL	R	A code used to indicate the type of a project/grant.	GR = Grant; CT = Contract

Physical Element Name	Logical Element Name	Format Type	Format Length	Data Set	Table Locations	Security Code	Element Definition	Examples of Valid Values
PY_COMMENTS_AMT	Payroll Comments Amount	Signed Number	10,2	M_PYDW1	PY_COMMENTS	R	A number representing the total dollar amount of a specific employee's gross earning distribution associated with a payroll comment.	1.53; 164.75; 1,083.33
PY_COMMENTS_DATETIME_STAMP	Payroll Comments Datetime Stamp	Date/Time		M_PYDW1	PY_COMMENTS	R	The date and time when the comment associated with a specific employee's gross earning distributions was entered.	10/26/1999 4:26:17 PM
PY_COMMENTS_DESCR254	Payroll Comments Long Description	Character	254	M_PYDW1	PY_COMMENTS	R	A full textual description of the comment associated with a specific employee's gross earning distributions	Transferring February salary to 238950; Transfer 9/30/05 – 10/30/05; Original MVA payment 12/31/02
PY_COMMENTS_OPRID	Payroll Comments Operator Identification	Character	30	M_PYDW1	PY_COMMENTS	R	The U of M unickname of the person who entered a comment for a specific employee's gross earning distributions.	DSELL; MPCONAB
PY_COMMENTS_TYPE	Payroll Comments Type Code	Character	1	M_PYDW1	PY_COMMENTS	R	A code representing the type of pay associated with a payroll comment.	A = Additional Pay; P = Paysheet; S = Salary Transfer
PY_FREQ_TYPE	Payroll Frequency Type Code	Character	1	M_PYDW1	PY_COMMENTS	R	A code representing how often an employee's gross earning distributions are paid.	B = Biweekly; M = Monthly; O = Offcycle
PY_PRINT_FLAG	Payroll Print Code	Character	1	M_PYDW1	PY_COMMENTS		A code indicating whether the comment associated with a specific employee's gross earning distributions will print on the gross pay registry.	Y = Yes; N = No
REG_PAY_INCLUDED	Regular Pay Included Code	Character	1	M_PYDW1	EARNINGS_TBL	R	A code indicating whether regular pay is included in the earnings amount related to an earnings code.	Y = Yes; N = No
REG_TEMP	Regular/Temporary Code	Character	1	M_HRDW1	JOBCODE_TBL	R	A code indicating whether a JobCode or a job is considered a regular or temporary JobCode or job.	R = Regular; T = Temporary
REG_TEMP_DESCRSHORT	Regular/Temporary Short Description	Character	10	M_HRDW1	JOBCODE_TBL	R	An abbreviated textual description of the code indicating whether a JobCode or a job is considered a regular or temporary JobCode or job.	Regular; Temporary

Physical Element Name	Logical Element Name	Format Type	Format Length	Data Set	Table Locations	Security Code	Element Definition	Examples of Valid Values
REGENTAL_APPROVAL	Regental Approval	Character	1	M_HRDW1	JOBCODE_TBL	R	A code indicating whether hiring for a particular JobCode requires sign off by the regents.	Y = Yes; N = No
REPORTING_BUDGET_AMT	Reporting Budget Amount	Signed Number	15,2	M_GLDW1	PROJECT_GRANT_TBL	R	A number representing the dollar amount used for budget reporting. Only used for non-sponsored project grants.	0; 1125.00; 5,000,000.00
REVERSED	Reversed Code	Character	1	M_PYDW1	EMPL_CONTRB_PAY_DED_DIST EMPL_CONTRB_PAY_TAX_DIST PAY_ERN_DIST UNIV_CONTRB_PAY_DED_DIST UNIV_CONTRB_PAY_TAX_DIST	R	A code indicating whether a check in hand is cancelled.	Y = Yes; N = No
RPT_END_DT	Report End Date	Date		M_GLDW1	PROJECT_GRANT_TBL	R	The date on which the reporting period ends for a project/grant.	01/01/1999
RPT_START_DT	Report Start Date	Date		M_GLDW1	PROJECT_GRANT_TBL	R	The date on which the reporting period starts for a project/grant.	01/01/1998
RUN_DT	Run Date	Date		M_PYDW1	HR_ACCTG_LINE	R	The date that the HR_ACCTG_LINE was run.	02/02/2001
RUN_ID	Pay Run Identification Code	Character	10	M_PYDW1	EMPL_CONTRB_PAY_DED_DIST EMPL_CONTRB_PAY_TAX_DIST PAY_CHECK PAY_ERN_DIST UNIV_CONTRB_PAY_DED_DIST UNIV_CONTRB_PAY_TAX_DIST	R	A code that uniquely identifies a Run Control for batch processes.	011 = 04-30-98; BA1 = 01-B1-2001; MC1 = 03-Em-2001
SAL_ADMIN_PLAN	Salary Administration Plan Code	Character	4	M_HRDW1	JOBCODE_TBL	R	A code that groups JobCodes with similar classification and compensation structures, benefit plans, and applicable Standard Practice Guide sections. Used to define 'Career Bands' for select Job Families.	09 = Regular Clinical Instructional; 34 = Graduate Student Staff Asst; 133 = Financial Operations & Acctg (band related to the Finance Job/Career Family)

Physical Element Name	Logical Element Name	Format Type	Format Length	Data Set	Table Locations	Security Code	Element Definition	Examples of Valid Values
SAL_ADMIN_PLAN_DESCR	Salary Administration Plan Description	Character	30	M_HRDW1	JOBCODE_TBL	R	A textual description of the code that groups JobCodes with similar classification and compensation structures, benefit plans, and applicable Standard Practice Guide sections. Used to define 'Career Bands' for select Job Families.	Regular Clinical Instructional; Graduate Student Staff Asst; Financial Operations & Acctg
SAL_GRADE	Salary Grade Code	Character	3	M_HRDW1	JOBCODE_TBL	R	An alphanumeric code linked to the salary administration plan/career band and job/career family of each JobCode.	T5 = Trades Pay Grade T5; LD = Executive Leadership; MG = Manager; PF = Professional
SAL_GRADE_DESCR	Salary Grade Description	Character	30	M_HRDW1	JOBCODE_TBL	R	A textual description of the alphanumeric code linked to the salary administration plan/career band and job/career family of each JobCode.	Trades Pay Grade T5; Executive Leadership; Manager; Professional
SECOND_CIP	Secondary Classification Of Instructional Programs Code	Character	13	M_HRDW1	HE_DEPT_TBL	R	A code representing the secondary classification used in governmental reporting of the specific academic field associated with a department.	45.0201 = Anthropology; 13.1314 = Physical Education Teaching an; 11.0401 = Information Science/Studies
SECOND_CIP_DESCR	Secondary Classification Of Instructional Programs Description	Character	30	M_HRDW1	HE_DEPT_TBL	R	A textual description of the code representing the secondary classification used in governmental reporting of the specific academic field associated with a department.	Anthropology; Physical Education Teaching an; Information Science/Studies
SEPCHK	Separate Check Number	Number	1	M_PYDW1	EMPL_CONTRB_PAY_DED_DIST EMPL_CONTRB_PAY_TAX_DIST PAY_CHECK PAY_ERN_DIST UNIV_CONTRB_PAY_DED_DIST UNIV_CONTRB_PAY_TAX_DIST	R	The number used for a separate check.	0; 1; 2
SEQNUM	Sequence Number	Number	3	M_PYDW1	HR_ACCTG_LINE	R	A sequential number uniquely identifying each additional row within an accounting line.	0; 1;

Physical Element Name	Logical Element Name	Format Type	Format Length	Data Set	Table Locations	Security Code	Element Definition	Examples of Valid Values
SHORTCODE	ShortCode Number	Character	6	M_PYDW1 M_HRDW1	EMPL_CONTRB_PAY_DED_DIST EMPL_CONTRB_PAY_TAX_DIST PAY_ERN_DIST PAY_ESTMT PAY_SUMMARY UNIV_CONTRB_PAY_DED_DIST UNIV_CONTRB_PAY_TAX_DIST SHORTCODE DEPT_BUDGET_ERN	R	A code that represents a unique combination (blank and non-blank) of chartfields; fund, department, class, program, and project/grant.	000094 = USDA-6J89B; 012984 = VA Hospital/Med Admin; 035677 = Research Agreement (SAE)
SHORTCODE_DESCR	ShortCode Description	Character	30	M_PYDW1 M_HRDW1	EMPL_CONTRB_PAY_DED_DIST EMPL_CONTRB_PAY_TAX_DIST PAY_ERN_DIST PAY_SUMMARY UNIV_CONTRB_PAY_DED_DIST UNIV_CONTRB_PAY_TAX_DIST SHORTCODE DEPT_BUDGET_ERN	R	A textual description of the code that represents a unique combination (blank and non-blank) of chartfields; fund, department, class, program, and project/grant.	USDA-6J89B; VA Hospital/Med Admin; Research Agreement (SAE)
SHORTCODE_EFF_STATUS	ShortCode Effective Status Code	Character	1	M_HRDW1	SHORTCODE	R	A code identifying the current status of a shortcode.	A = Active; I = Inactive
SHORTCODE_EFFDT	ShortCode Effective Date	Date		M_HRDW1	SHORTCODE	R	The date when the shortcode status becomes effective.	08/11/2001
SINGLE_ADMIN_CNTCT_EMPLID	Single Administrative Contact Employee Identification Code	Character	11	M_GLDW1	PROJECT_GRANT_TBL	R	A system assigned number used to uniquely identify a person at U of M. Commonly referred to as UMID. This identifies the single administrative point of contact associated with a project/grant.	25582542
SINGLE_ADMIN_CNTCT_NAME	Single Administrative Contact Name	Character	50	M_GLDW1	PROJECT_GRANT_TBL	R	The name of the single administrative point of contact associated with the project/grant. Person name format is Last,First Middle.	Adamson, Sonya T; Holden, Peter
SPON_RES_POOL	Sponsored Research Pool Code	Character	1	M_HRDW1	DEPT_BUDGET_ERN	R	A code related to a department indicating whether the funding from this department is coming from a pool account or a sponsored project.	P = Pool Account; S = Sponsored Project
SPONSOR	Sponsor Code	Character	6	M_GLDW1	PROJECT_GRANT_TBL	R	A code identifying the sponsor or donor of funds of the project/grant.	907200 = National Aeronautics and Space Admin.; 023000 = Alumni Association

Physical Element Name	Logical Element Name	Format Type	Format Length	Data Set	Table Locations	Security Code	Element Definition	Examples of Valid Values
SPONSOR_AWARD	Sponsor Award Number	Character	30	M_GLDW1	PROJECT_GRANT_TBL	R	A number from the sponsor that identifies the award.	DMS-9622837
SPONSOR_CLASS	Sponsor Class Code	Character	2	M_GLDW1	PROJECT_GRANT_TBL	R	A code that classifies sponsors according to its business.	01 = US Government; 03 = US Foundations; 16 = Endowment
SPONSOR_CLASS_DESCR	Sponsor Class Description	Character	30	M_GLDW1	PROJECT_GRANT_TBL	R	A textual description of the code that classifies sponsors according to its business.	US Government; US Foundations; Endowment
SPONSOR_DESCR100	Sponsor Description	Character	100	M_GLDW1	PROJECT_GRANT_TBL	R	A textual description of the code identifying the sponsor, donor or other source of funds of a project/grant.	National Aeronautics and Space Admin.; Alumni Association
SPONSOR_DOC_NBR	Sponsor Document Number	Character	20	M_GLDW1	PROJECT_GRANT_TBL	R	Letter of Credit (LOC) document number assigned by the sponsor.	9321959; 9321986; 9322106
SPONSOR_TYPE	Sponsor Type Code	Character	1	M_GLDW1	PROJECT_GRANT_TBL	R	A code used to indicate the type of sponsor.	F = Federal; I = Internal; N = Non-Federal
SPONSOR_TYPE_DESCR	Sponsor Type Description	Character	30	M_GLDW1	PROJECT_GRANT_TBL	R	A textual description of the code used to indicate the type of sponsor.	Federal; Internal; Non-Federal
SRT_ELIG_FLG	Sponsored Research Eligibility Code	Character	1	M_PYDW1	EARNINGS_TBL	R	A code indicating whether the earnings will be distributed based on the sponsored research table.	Y = Yes; N = No
STATE	State Code	Character	6	M_PYDW1	EMPL_CONTRB_PAY_TAX_DIST UNIV_CONTRB_PAY_TAX_DIST	R	A code representing the state to which the withholding tax is applicable.	MI = Michigan; OH = Ohio
SUB_CONTRACT_AWARDEE	Sub Contract Awardee Code	Character	6	M_GLDW1	PROJECT_GRANT_TBL	R	A code used to identify a sub contract awardee related to a sponsor project grant.	420900 = Johns Hopkins University; 573600 = Michigan State University; 584415 = Minority Suburban Migration
SUB_CONTRACT_AWARDEE_DESCR100	Sub Contract Awardee Description	Character	100	M_GLDW1	PROJECT_GRANT_TBL	R	A textual description of the code used to identify a sub contract awardee related to a sponsor project grant.	Johns Hopkins University; Michigan State University; Minority Suburban Migration
SUBJECT_FICA	Subject to Federal Insurance Contributions Act Code	Character	1	M_PYDW1	EARNINGS_TBL	R	A code indicating whether the earnings code is eligible for Federal Insurance Contributions Act withholding.	Y = Yes; N = No

Physical Element Name	Logical Element Name	Format Type	Format Length	Data Set	Table Locations	Security Code	Element Definition	Examples of Valid Values
SVH_ELIG_FLG	Sick Vacation Holiday Eligibility Code	Character	1	M_PYDW1	EARNINGS_TBL	R	For employees that participate in the sick, vacation, holiday pool, a code indicating whether sick, vacation, holiday charges are charged directly to the department or to the sick, vacation, holiday pool.	Y = Yes; N = No
TAX_AMT	Current Tax Amount	Signed Number	10,2	M_PYDW1	EMPL_CONTRB_PAY_TAX_DIST UNIV_CONTRB_PAY_TAX_DIST	R	The dollar amount of the withholding or contribution.	0.00; -280.03; 3.12
TAX_CLASS	Tax Balance Class Code	Character	1	M_PYDW1	EMPL_CONTRB_PAY_TAX_DIST UNIV_CONTRB_PAY_TAX_DIST	R	A code indicating the type of tax.	E = OASDI/ER; Q = Med/ER
TAX_CLASS_DESCRSHORT	Tax Balance Class Short Description	Character	10	M_PYDW1	EMPL_CONTRB_PAY_TAX_DIST UNIV_CONTRB_PAY_TAX_DIST	R	An abbreviated textual description of the code indicating the type of tax.	OASDI/ER; Med/ER
TAX_METHOD	Tax Method Code	Character	1	M_PYDW1	EARNINGS_TBL	R	A code which identifies the tax method used when calculating pay for an earning code.	A = Annualized; L = Lump Sum; S = Supplemental
TAX_METHOD_DESCRSHORT	Tax Method Short Description	Character	10	M_PYDW1	EARNINGS_TBL	R	An abbreviated textual description of the code which identifies the tax method used when calculating pay for an earning code.	Annualized; Lump Sum; Supplemntl
TIMEKEEP_SYS	Timekeeping System Code	Character	1	M_HRDW1	HE_DEPT_TBL	R	A code indicating the timekeeping system used by a department.	C = Central; H = Hospital; M = MATRS; P = Plant
TIMEKEEP_SYS_DESCRSHORT	Timekeeping System Short Description	Character	10	M_HRDW1	HE_DEPT_TBL	R	An abbreviated textual description of the code indicating the timekeeping system used by a department.	Central; Hospital; MATRS; Plant
TOTAL_GROSS_AMT	Total Gross Amount	Signed Number	10,2	M_PYDW1	PAY_CHECK	R	The dollar amount paid as gross pay.	0.00; -4,419.07; 39.62
UNION_CD	Union Code	Character	3	M_HRDW1	JOBCODE_TBL	R	A code indicating the union affiliated with a JobCode.	AFS = A.F.S.C.M.E. Local 1583; GEO = Graduate Employee Organization; MNA = Michigan Nurses Association
UNION_DESCR	Union Description	Character	30	M_HRDW1	JOBCODE_TBL	R	A textual description of the code indicating the union affiliated with a JobCode.	A.F.S.C.M.E. Local 1583; Graduate Employee Organization; Michigan Nurses Association

Physical Element Name	Logical Element Name	Format Type	Format Length	Data Set	Table Locations	Security Code	Element Definition	Examples of Valid Values
USED_TO_PAY_RETRO	Used To Pay Retroactively Code	Character	1	M_PYDW1	EARNINGS_TBL	R	A code indicating whether the earnings code could be used for retroactive pay.	Y = Yes; N = No
WITHHOLD_FWT	Withhold Federal Withholding Tax Code	Character	1	M_PYDW1	EARNINGS_TBL	R	A code indicating whether the earnings code is eligible for Federal Withholding Tax withholding.	Y = Yes; N = No